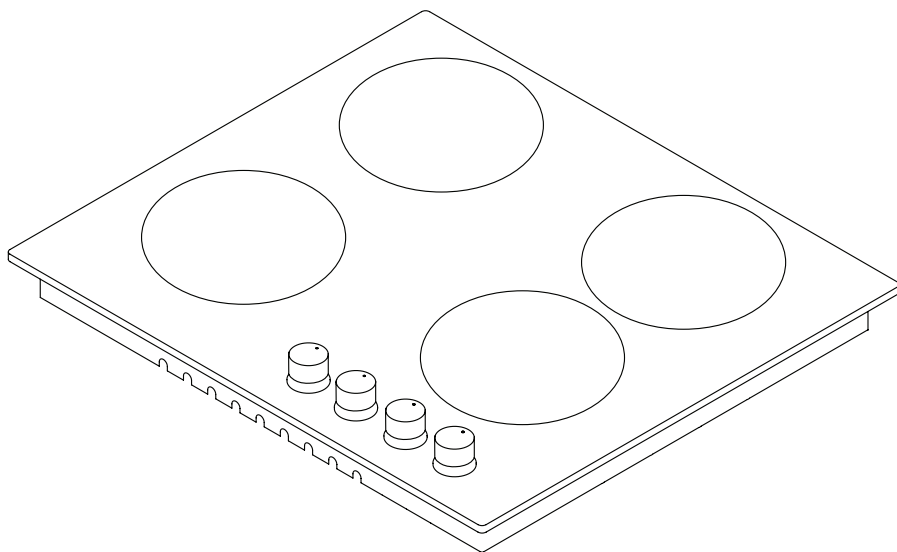


BUILT-IN COOKTOP

Gas and electric cooktop

Płyta kuchenna gazowo-elektryczna



H110-20-260-203 Rev 003

USER MANUAL **GB**
PODRĘCZNIK UŻYTKOWNIKA **PL**

Dear User,

Our objective is to make this product provide you with the best output which is manufactured in our modern facilities in a careful working environment, in compliance with total quality concept.

Therefore, we suggest you to read the user manual carefully before using the product and, keep it permanently at your disposal.

Note: This user manual is prepared for more than one model. Some of the features specified in the Manual may not be available in your appliance.

All our appliances are only for domestic use, not for commercial use.

Products marked with (*) are optional.

“Conforms with the WEEE Regulations.”

Contents

Important warnings.....	4
Electrical connection.....	13
Gas connection.....	14
Introduction of the appliance.....	17
Technical features.....	18
Installation of cooktop.....	20
Counter cutting sizes.....	23
Control panel.....	24
Usage of your cooktop.....	25
Maintenance and cleaning.....	28
Troubleshooting.....	29
Handling rules.....	30
Environmentally-friendly disposal.....	30
Package information.....	30

IMPORTANT WARNINGS

1. Installation and repair should always be performed by **“AUTHORIZED SERVICE”**. Manufacturer shall not be held responsible for operations performed by unauthorized persons.
2. Please read this operating instructions carefully. Only by this way you can use the appliance safely and in a correct manner.
3. The cooker should be used according to operating instructions.
4. Keep children below the age of 8 and pets away when operating.
5. **WARNING: Fire hazard; do not store the materials on the cooking surface.**
6. **WARNING: The appliance and its accessible parts are hot during operation.**
7. Setting conditions of this device are specified on the label. (Or on the data plate)
8. The accessible parts may be hot when the grill is used. Small children should be kept away.
9. **WARNING: This appliance is intended for cooking. It should not be used for other purposes like heating a room.**
10. To clean the appliance, do not use steam cleaners.
11. NEVER try to put out the fire with water. Only shut down the device circuit and then cover the flame with a cover or a fire blanket.

12. Children under 8 years of age should be kept away, if they cannot be monitored continuously.

13. Touching the heating elements should be avoided.

14. CAUTION: Cooking process shall be supervised. Cooking process shall always be supervised.

15. The appliance is not suitable for use with an external timer or a separate remote control system.

16. This device can be used by children over 8 years of age, people with physical, hearing or mental challenges or people with lack of experience or knowledge; as long as control is ensured or information is provided regarding the dangers.

17. This device has been designed for household use only.

18. Children must not play with the appliance. Cleaning or user maintenance of the appliance shall not be performed by children unless they are older than 8 years and supervised by adults.

19. Keep the appliance and its power cord away from children less than 8 years old.

20. Put curtains, tulle, paper or any flammable (ignitable) material away from the appliance before starting to use the appliance. Do not put ignitable or flammable materials on or in the appliance.

21. Keep the ventilation channels open.

22. Do not heat closed cans and glass jars. The pressure may lead jars to explode.

23. Do not use the product in states like medicated and/or under influence of alcohol which may affect your ability of judgement.

24. After each use, check if the unit is turned off.

25. Be careful when using alcohol in your foods. Alcohol will evaporate at high temperatures and may catch fire to cause a fire if it comes in contact with hot surfaces.

26. If the appliance is faulty or has a visible damage, do not operate the appliance.

27. Do not put objects that children may reach on the appliance.

28. The packaging materials are dangerous for children. Keep packaging materials away from the reach of children.

29. Cooker supply can be disconnected during any construction work at home. After completing the work, re-connecting the cooker shall be done by authorized service.

30. Do not place metal utensils such as knife, fork, spoon on the surface of the appliance, since they will get hot.

31. To prevent overheating, the appliance should not be installed behind of a decorative cover.

32. Turn off the appliance before removing the safeguards. After cleaning, install the safeguards according to instructions.



33. Cable fixing point shall be protected.

34. **CAUTION: If the glass of the stove is broken, turn off any heating element immediately and disconnect the appliance from power source, do not touch the surface of the appliance and do not use the appliance.**

35. User should not handle the cooker by himself.

36. Use shall be careful when cleaning gas burners. It may cause personal injuries.

37. Since the hob is hot during cooking or right after cooking, scalding may occur due to extreme temperature and steam.


38. When not turning of the cooker during cooking, user can touch hot surfaces causing burns.

39. If heavier loads are places on the cooker, these loads can trip over. It may cause personal injuries.

40. Allow disconnection of the appliance after installation, by accessible plug or a switch in the fixed wiring, unless.

Electrical Safety

1. Plug the appliance in a grounded socket protected by a fuse conforming to the values specified in the technical specifications chart.
2. Have an authorized electrician set grounding equipment. Our company shall not be responsible for the damages that shall be incurred due to using the product without grounding according to local regulations.
3. **WARNING: If the surface is cracked, turn off the appliance to avoid risk of electric shock.**
4. Never wash the appliance by spraying or pouring water on it. There is a risk of electrocution.
5. Do not touch the plug with wet hands. Do not pull the cord to plug off, always hold the plug.
6. Unplug the unit during installation, maintenance, cleaning and repair.
7. Make sure the plug is inserted firmly into wall socket to avoid sparks.
8. If the power supply cord (the cord with plug) is damaged, this cord shall be replaced by the manufacturer or its service agent or an equally qualified personnel to prevent a hazardous situation.
9. Do not use cut or damaged cords or extension cords other than the original cord.
10. Do not use steam cleaners for cleaning the appliance, otherwise electric shock may occur.



11. Make sure there is no liquid or humidity in the outlet where the product plug is installed.

12. An omnipolar switch capable to disconnect power supply is required for installation. Disconnection from power supply shall be provided with a switch or an integrated fuse installed on fixed power supply according to building code.

13. The power supply cord (the cord with plug) shall not contact the hot parts of the appliance.

14. Unplug the unit during installation, maintenance, cleaning and repair.

15. Appliance is equipped with a **type “Y”** cord cable.

16. The circuit breaker switches of the cooker shall be placed so that end user can reach them when the cooker is installed.

17. Fixed connections shall be connected to a power supply enabling omnipolar disconnection. For appliances with over voltage category below III, disconnection device shall be connected to fixed power supply according to wiring code.

18. Do not remove ignition switches from the appliance. Otherwise, live electric cables can be accessed. It may cause an electric shock.

Gas Safety

1. This appliance is not connected to burning products evacuation apparatus. This appliance must be connected and installed according to the installation regulations in force. Conditions regarding ventilation must be considered.


2. When a gas cooking appliance is used; humidity, heat and burning products are generated in the room. First of all, make sure the kitchen is well ventilated when operating the appliance and maintain natural ventilation openings or install a mechanical ventilation equipment.

3. After using the appliance heavily for an extended period of time, additional ventilation may be required. For example open a window or adjust a higher speed for mechanical ventilation, if any.

4. This appliance must be used only in well ventilated locations in accordance with the regulations in force. Please read the manual before installing or using this product.

5. Before positioning the appliance, make sure local network conditions (gas type and gas pressure) meets appliance requirements.

6. The mechanism cannot be run for longer than 15 seconds. If the burner is not on after 15 seconds, stop the mechanism and wait for at least one minute before trying to ignite the burner again.



7. All kinds of operations to be performed on gas installation must be performed by authorized and competent people.

8. This appliance is adjusted for natural gas (NG). If you have to use your product with a different gas type, you have to apply to authorized service for the conversion.

9. For proper operation, hood, gas pipe and clamp should be replaced periodically according to manufacturer recommendations and when required.

10. Gas should burn well in gas products. Well burning gas can be understood from blue flame and continuous burning. If gas does not burn sufficiently, carbon monoxide (CO) can be generated. Carbon monoxide is a colourless, odourless and very toxic gas; even small amounts have lethal effect.

11. Ask your local gas supplies about the phone numbers for emergencies related to gas and the measures to be taken upon gas odour is detected.

What To Do When Gas Odour Is Detected

1. Do not use naked flame, and do not smoke.
2. Do not operate any electrical switch.
(For example: lamp switch or doorbell)
3. Do not use telephone or mobile phone.
4. Open the doors and windows.
5. Close all valves on the appliances that utilize gas and the gas counters.
6. Check all hoses and their connections against leaks. If you still smell gas, leave the house and warn your neighbours.
7. Call fire brigade from a telephone outside the home.
8. Do not enter into the house until authorities clarify it is safe.

Intended Use

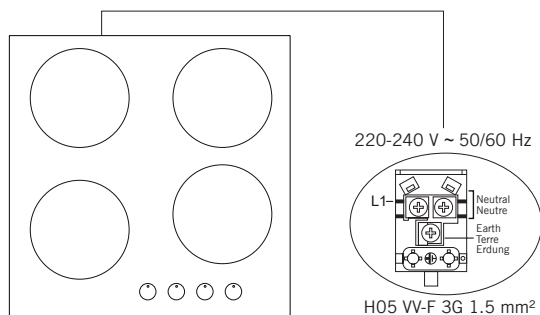
1. This product is designed for home use. Commercial use of the appliance is not permitted.
2. This appliance may only be used for cooking purposes. It shall not be used for other purposes like heating a room.
3. The manufacturer assumes no responsibility for any damage due to misuse or mishandling.
4. Operational life of the product you have purchased is 10 years. This is the period for which the spare parts required for the operation of this product as defined is provided by the manufacturer.

Electrical Connection

1. Setting conditions of this appliance is indicated in tag or data plate.
2. Your appliance should be plugged in a fuse appropriate for electric power. If necessary, it is recommended that installation is done by authorized service.
3. Your appliance is configured in accordance with electrical supply of 220-240V 50/60Hz.
4. If main electrical network is different from these values, contact with your authorized service.
5. Electrical connections of your appliance should only be made to the fuses having suitably wired grounding (grounded) system. If no convenient fuse is available in the place where your appliance is to be installed, contact with authorized service immediately. Manufacturing firm is not responsible definitely for the damages that fuses whose grounding is not made and connected to the appliance can cause.
6. Plug of the appliance should be close to be accessed easily to the fuse whose grounding is made without use of extension cord.
7. Do not allow contacting the power cable of your appliance with hot regions. Similarly, keep away it from sharp edges and corners.
8. If feeder cord is damaged, this cord should be replaced either by manufacturer or its service agency or same degree qualified personnel in order to hinder a dangerous situation.
9. Wrong electrical connection may give damage to the appliance. In this case, your appliance will remain out of guarantee scope. Electrical connection of your appliance should be done by authorized service.

Electrical connection scheme

Get electrical connection of your appliance done to authorized person in line with the following scheme.

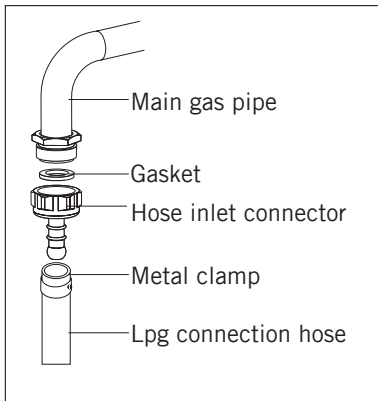


Gas Connection

WARNING: Before starting any work related with gas installation, turn off gas supply. Risk of explosion.

1. Connect your appliance to gas cock from the shortest way and in a manner to prevent any leakage. For safety, the hose used should be maximum 125 cm and minimum 40 cm.
2. While making gas leakage control; never use lighter, match, glowing cigarette or similar inflammable matter.
3. Apply soap bubble on connection point. If any leak/leakage exists, foaming will occur on soaped region.
4. If the cooktop is to be mounted on a cabinet or openable drawer, a heat protection panel having 15 mm minimum opening should be mounted under the cooktop.

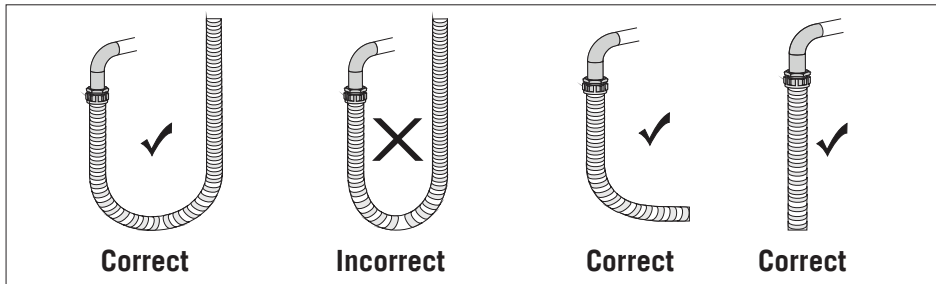
For LPG connection;



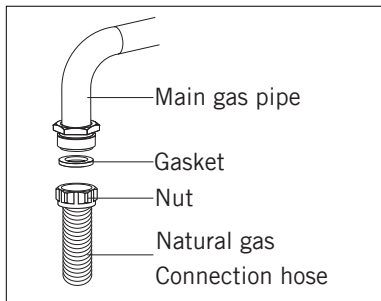
For LPG (cylinder) connection, affix metal clamp on the hose coming from LPG cylinder. Affix an edge of the hose on hose inlet connector behind the appliance by pushing to end through heating the hose in boiled water. Afterward, bring the clamp towards end section of the hose and tighten it with screwdriver. The gasket and hose inlet connector required for connection is as the picture shown below.

NOTE: The regulator to be affixed on LPG cylinder should have 300 mmSS feature.

WARNING: Gas hose and electric connection of the appliance should not pass next to hot areas such as back of the appliance. Gas hose should be connected by making wide angle turns against breaking possibility. Movement of appliance whose gas connection is made may cause gas leakage.



For natural gas connection;



WARNING: Natural gas connection should be done by authorized service.

For natural gas connection, place gasket in the nut at the edge of natural gas connection hose. To install the hose on main gas pipe, turn the nut. Complete the connection by making gas leakage control.

Transformation from natural gas to LPG and from LPG to natural gas

1. Turn off gas and electricity of the cooktop. If your cooktop is hot, wait for cooling down.
2. For injector change, use a screwdriver whose edge is as the figure 1.
3. As seen in figure 2, demount burner lid and burner of the cooktop and ensure visibility of injector.
4. Remove injector by turning as shown in figure 3 with screwdriver and replace it with a new one.

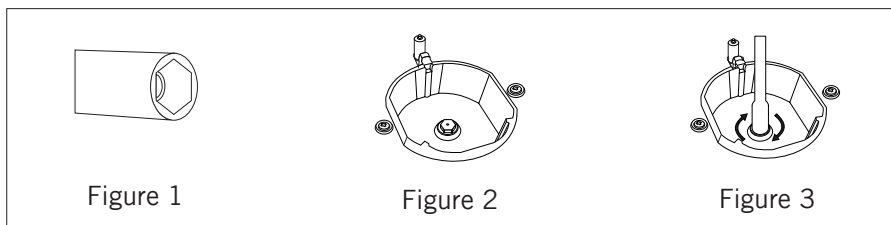


Figure 1

Figure 2

Figure 3

5. After that, detach control switches of the cooktop. Make setting by turning the screw in the middle of gas cocks with a small screwdriver in the manner shown in the following picture. To adjust flow rate screw, use a screwdriver having suitable dimension. For LPG, turn the screw clockwise. For natural gas, turn the screw one time counter clockwise. At low position, length of normal flame should be 6-7 mm. For the last control, check out whether flame is open or closed.

Setting of your appliance may differ according to the type of gas cock used.

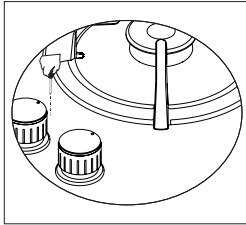


Figure 4

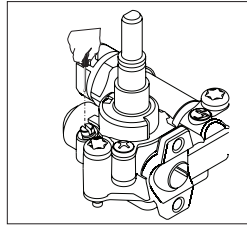


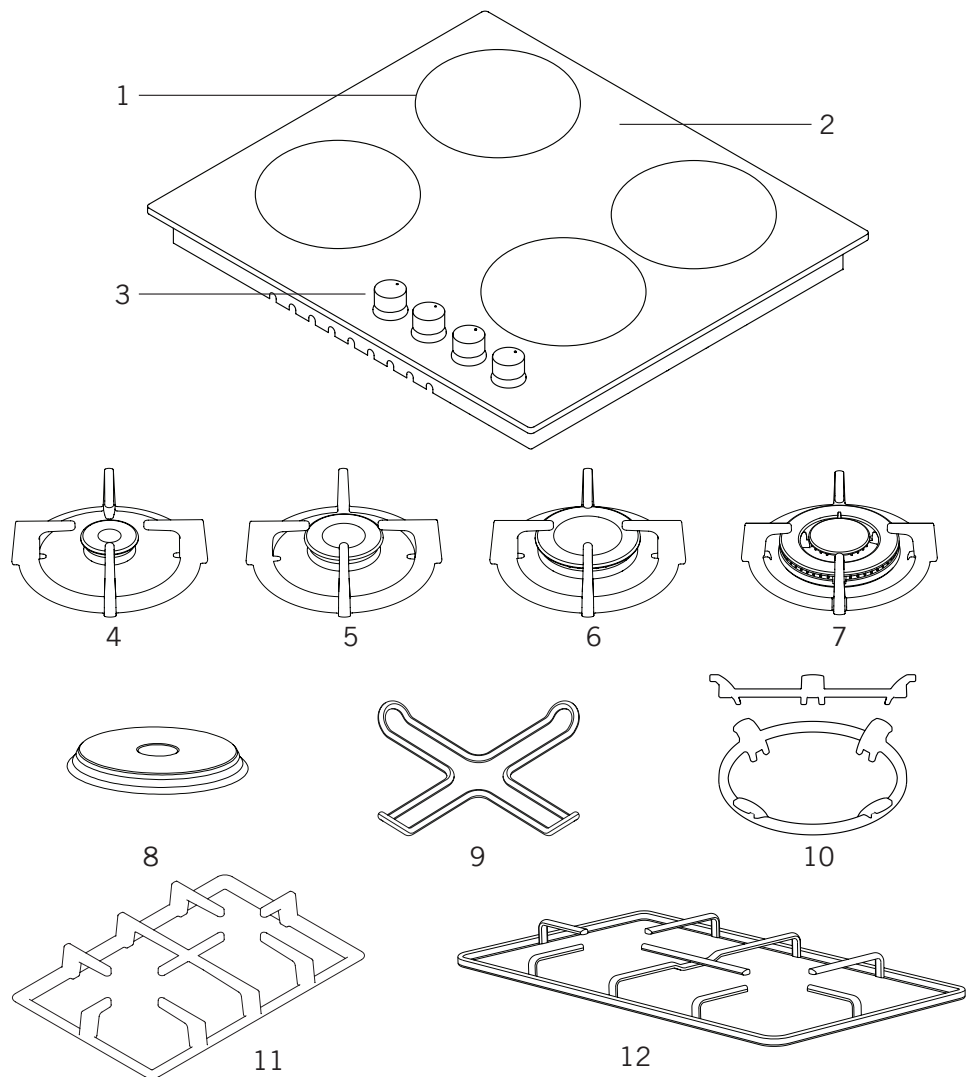
Figure 5

Ventilation Of Room

The air needed for burning is received from room air and the gases emitted are given directly in room. For safe operation of your product, good room ventilation is a precondition. If no window or room to be utilized for room ventilation is available, additional ventilation should be installed. However, room has a door opening outside, it is no needed to vent holes.

Room size	Ventilating opening
Smaller than 5 m ³	min. 100 cm ²
Between 5 m ³ - 10 m ³	min. 50 cm ²
Bigger than 10 m ³	no need
In basement or cellar	min. 65 cm ²

INTRODUCTION OF THE APPLIANCE



1. Burner positions
2. Glass or metal surface
3. Control buttons
4. Small burner
5. Medium burner
6. Large burner

7. Wok burner *
8. Hotplate *
9. Coffee adaptor *
10. Wok burner adaptor *
11. Cast grill
12. Enamel grill

Technical Features

You can operate electric cooktops by turning the button on control panel you want to use to the level you desire. Cooktop powers as per levels are given in the following table.

Specifications	Level 1	Level 2	Level 3	Level 4	Level 5	Level 6
Ø80 mm hotplate	200 W	250 W	450 W	---	---	---
Ø145 mm hotplate	250 W	750 W	1000 W	---	---	---
Ø180 mm hotplate	500 W	750 W	1500 W	---	---	---
Ø145 mm rapid hotplate	500 W	1000 W	1500 W	---	---	---
Ø180 mm rapid hotplate	850 W	1150 W	2000 W	---	---	---
Ø145 mm hotplate	95 W	155 W	250 W	400 W	750 W	1000 W
Ø180 mm hotplate	115 W	175 W	250 W	600 W	850 W	1500 W
Ø145 mm rapid hotplate	135 W	165 W	250 W	500 W	750 W	1500 W
Ø180 mm rapid hotplate	175 W	220 W	300 W	850 W	1150 W	2000 W
Supply voltage	220-240 V 50/60 Hz.					

Injector, gas flow and power table

Burner Specifications	G20,20 mbar G25,25 mbar			G20,25 mbar		G20,13 mbar	
	Gas natural			Gas natural		Gas natural	
Wok burner (3,5)	Injector	1,40	mm	1,28	mm	1,60	mm
	Gas flow	0,333	m ³ /h	0,333	m ³ /h	0,333	m ³ /h
	Power	3,50	kW	3,50	kW	3,50	kW
Wok burner (2,5)	Injector	1,15	mm	1,06	mm	1,35	mm
	Gas flow	0,243	m ³ /h	0,243	m ³ /h	0,243	m ³ /h
	Power	2,50	kW	2,50	kW	2,50	kW
Rapid burner	Injector	1,15	mm	1,10	mm	1,45	mm
	Gas flow	0,276	m ³ /h	0,276	m ³ /h	0,276	m ³ /h
	Power	2,90	kW	2,90	kW	2,90	kW
Semi-Rapid burner	Injector	0,97	mm	0,92	mm	1,10	mm
	Gas flow	0,162	m ³ /h	0,162	m ³ /h	0,162	m ³ /h
	Power	1,70	kW	1,70	kW	1,70	kW
Auxiliary burner	Injector	0,72	mm	0,70	mm	0,85	mm
	Gas flow	0,96	m ³ /h	0,96	m ³ /h	0,96	m ³ /h
	Power	0,95	kW	0,95	kW	0,95	kW

Burner Specifications	G30,28-30 mbar G31,37 mbar			G30,50 mbar		G30,37 mbar	
	LPG			LPG		LPG	
Wok burner (3,5)	Injector	0,96	mm	0,76	mm	0,96	mm
	Gas flow	254	g/h	254	g/h	254	g/h
	Power	3,50	kW	3,50	kW	3,50	kW
Wok burner (2,5)	Injector	0,82	mm	0,73	mm	0,78	mm
	Gas flow	182	g/h	182	g/h	182	g/h
	Power	2,50	kW	2,50	kW	2,50	kW
Rapid burner	Injector	0,85	mm	0,75	mm	0,85	mm
	Gas flow	211	g/h	211	g/h	211	g/h
	Power	2,90	kW	2,90	kW	2,90	kW
Semi-Rapid burner	Injector	0,65	mm	0,60	mm	0,65	mm
	Gas flow	124	g/h	124	g/h	124	g/h
	Power	1,70	kW	1,70	kW	1,70	kW
Auxiliary burner	Injector	0,50	mm	0,43	mm	0,50	mm
	Gas flow	69	g/h	69	g/h	69	g/h
	Power	0,95	kW	0,95	kW	0,95	kW

WARNING: Diameter values written on the injector are specified without a comma. For example; The diameter of 1,70 mm is specified as 170 on the injector.

WARNING: For the modification to be done by authorized service, this table should be considered. Manufacturer may not be held responsible for any problems rising because of any faulty modification.

WARNING: In order to increase the product quality, the technical specifications may be changed without prior notice.

WARNING: The values provided with the appliance or its accompanying documents are laboratory readings in accordance with the respective standards. These values may differ depending on the use and ambient conditions.

INSTALLATION OF COOKTOP

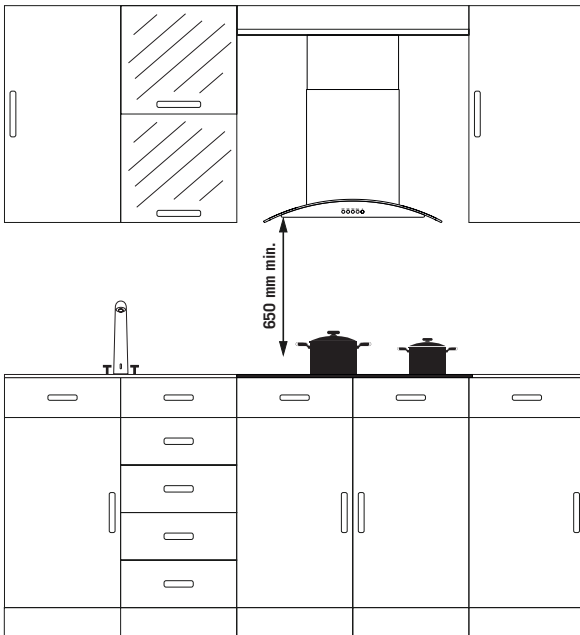
Check if the electrical installation is proper to bring the appliance in operating condition. If electricity installation is not suitable, call an electrician and plumber to arrange the utilities as necessary. Manufacturer shall not be held responsible for damages caused by operations performed by unauthorized persons.

WARNING: It is customer's responsibility to prepare the location the product shall be placed on and also to have the electrical installation prepared.

WARNING: The rules in local standards about electrical installations shall be followed during product installation.

WARNING: Check for any damage on the appliance before installing it. Do not have the product installed if it is damaged. Damaged products cause a risk for your safety.

Correct Place For Installation



Product is designed in accordance with the kitchen counters supplied from market. A safe distance should be left between the product and kitchen walls and furniture. If hood/aspirator will be installed over your appliance, obey to the recommendation of hood / aspirator manufacturer for assembly height. (min. 65 cm)

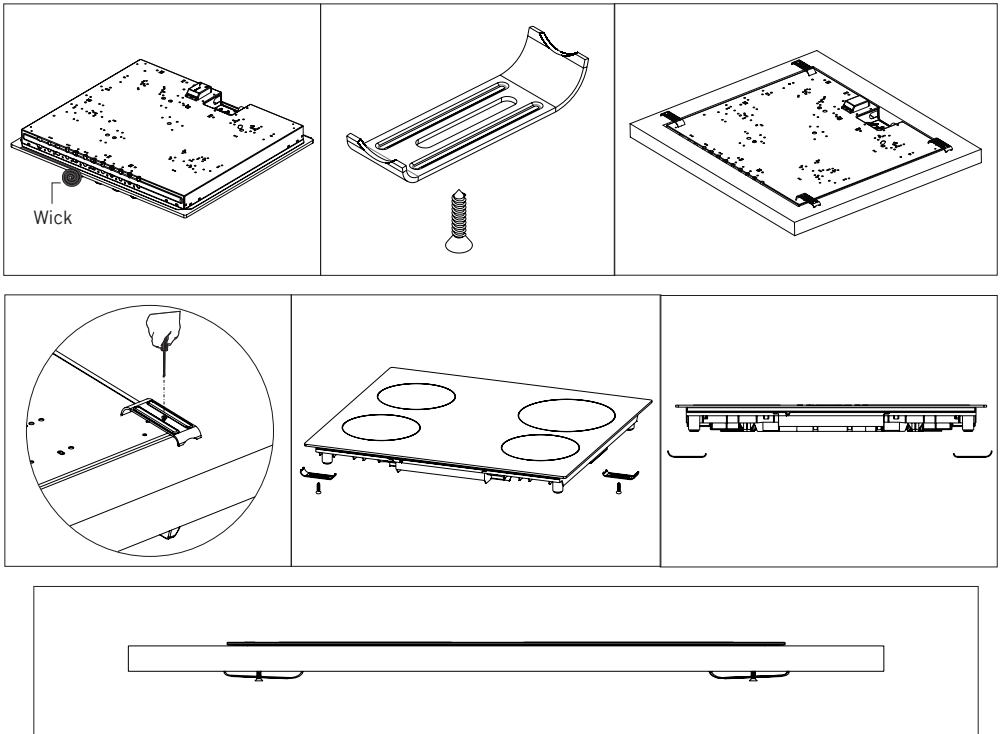
The gap that cooktop is to be placed on the counter should be cut in line with cooktop installation dimensions.

For installation of the product, the rules specified in local standards related to electricity should be complied.

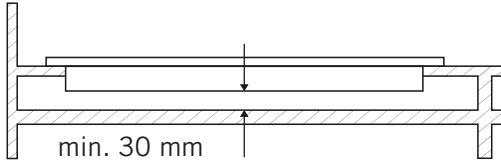
Installation

1. Detach the burners, burner hoods and grills from the product.
2. Turn the cooktop down and place on smooth ground.
3. In order to prevent entrance of foreign substances and liquids between cooktop and counter, apply the paste given in package to the sides of lower guard of counter. For corners, curl paste and increase curls till filling corner gaps.
4. Turn cooktop again and align with and place on counter.
5. Fasten up your cooktop on counter by using the clamp and screws supplied.

Installation Diagram



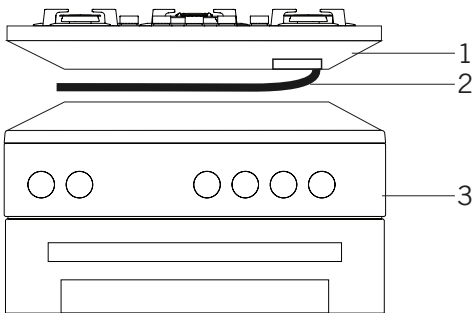
6. When product is mounted on a drawer, if it is possible to touch lower side of product, this section should be separated with a wooden shelf.



7. While mounting cooktop on a closet, as shown in the figure above, in order to separate between closet and cooktop, a shelf should be mounted. If it is mounted on a built-in oven, there is no need to do that.

8. If your cooktop will be mounted next to right or left wall, the minimum distance between wall and cooktop should be 50 mm.

If Built-In Oven Is Placed Under Cooktop;

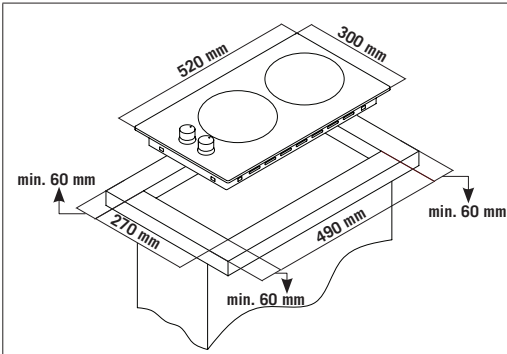


- 1.** Cooktop
- 2.** Hose
- 3.** Oven

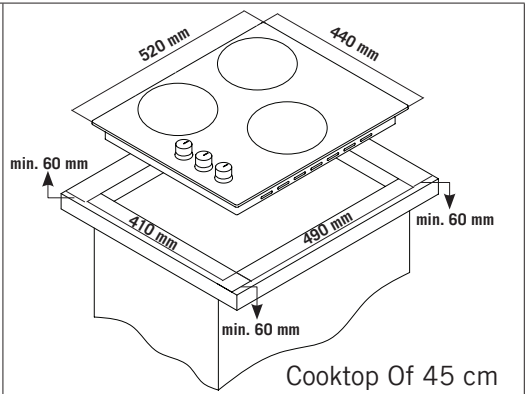
Gas pipe should be affixed in a way not to touch the oven below, sharp edges and corners, not to be pulled in a manner to be twisted and strained. Make gas connection from right part of the cooktop, fasten the hose by use of clamp.

Counter Cut-Off Dimensions

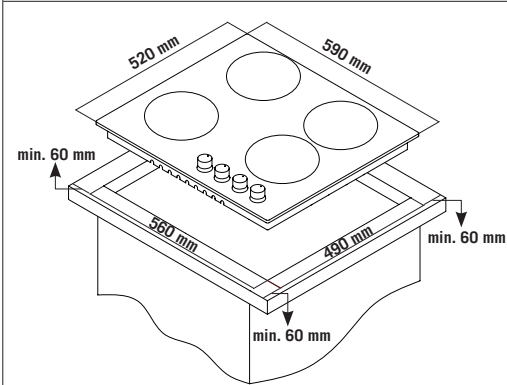
Pay attention to the drawings and dimensions given below while making cooktop installation and adjusting counter cutting sizes.



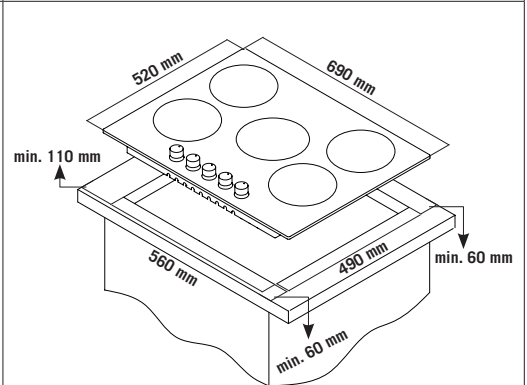
Cooktop Of 30 cm



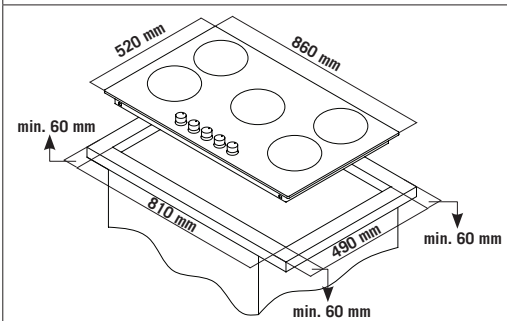
Cooktop Of 45 cm



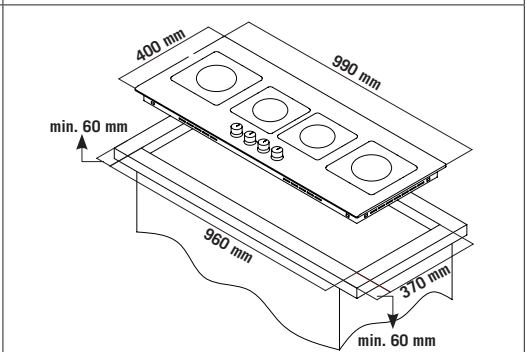
Cooktop Of 60 cm



Cooktop Of 70 cm



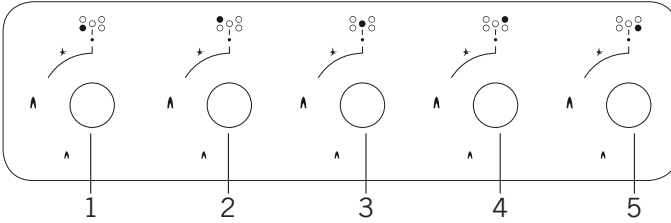
Cooktop Of 90 cm



Cooktop Of 100 cm

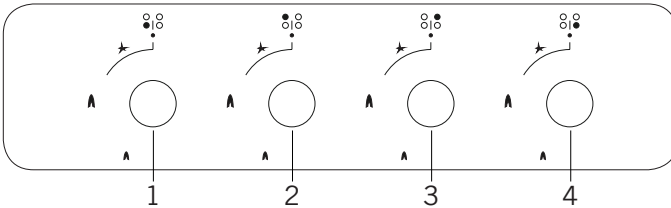
CONTROL PANEL

Cooktop Panel Visual Of 70-90 cm And 100 cm



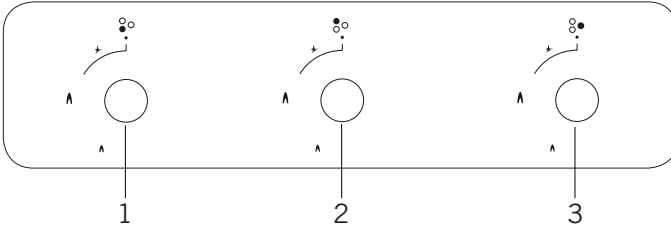
1. Front left burner
2. Rear left burner
3. Wok burner
4. Rear right burner
5. Front right burner

Cooktop Panel Visual Of 60 cm



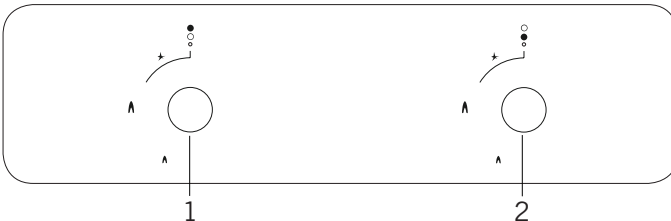
1. Front left burner
2. Rear left burner
3. Rear right burner
4. Front right burner

Cooktop Panel Visual Of 45 cm



1. Lower left burner
2. Upper left burner
3. Right burner

Cooktop Panel Visual Of 30 cm



1. Lower burner
2. Upper burner

WARNING: The control panels above is only for illustration purposes. Consider the control panel on your device.

USAGE OF YOUR COOKTOP

1. Before starting to use your cooktop, be sure burner hoods are at correct position. Correct placement of burner hoods are shown in the following figure.

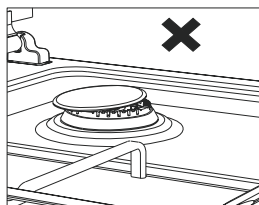


Figure 6

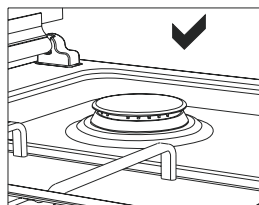
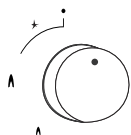


Figure 7

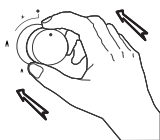
2. Gas cocks have a special locking mechanism. Therefore, to operate cooktop zone, press button by pushing ahead and while opening or closing the cock, hold down the button.

● Closed  Fully open  Half open

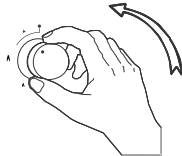
3. For automatic igniting models, igniting is realized via electricity. Therefore, before operating appliance, be sure that appliance has electric connection. Igniting for these models is as follows.



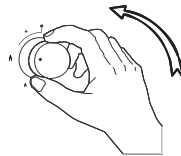
Cooktop cock is at closed position.



To ignite cooktop, firstly press the button towards ahead.



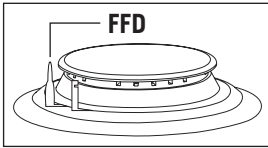
While holding down the button, lighter steps in and starts to ignition.



By turning the button left while holding down, you can provide ignition at flame length you want.

4. Pay attention that cooktop grills are placed on cooktop table completely. In case of failure about this matter can cause pouring of the materials to be put on that.

5. For the models having gas putting out safety, following realizing ignition procedure according to the guidelines above, wait for 5-10 seconds by pushing button ahead without keeping your hands off. Safety mechanism will step in this duration and ensures operation of the cooktop. With regard to gas putting out appliance, gas cock cuts the gas going to cooktop zone in case of putting out of cooktop flame due to any reason.



6. Flame cut-off safety device (FFD) *; operates instantly when safety mechanism activates due to overflowed liquid over upper hobs.

7. While using coffee pot apparatus supplied along with the cooktop, be sure that feet of apparatus are placed on cooktop grill exactly and remain on cooktop zone in centred way. Use the apparatus only on small burner.

8. While utilizing gas cooktops, use saucepan, placed on cooktop surface as far as possible. Thanks to that, you can save energy. In the following table, cooking pot diameters recommended to be used as per burners are given. Characteristic of Wok cooktop zone is to cook quickly.

9. Ensure that the grates are fully seated on the cooktop plate. If the grate is not properly seated, this may cause spillage of materials placed on it.

10. Place the pots and pans so that their handles are not placed above the hobs to prevent heating of the handles.

11. Place suitable amount of food to the pots and pans. Thus, you may prevent overflowing of meals and avoid unnecessary cleaning.

12. The size of the container and the gas flame shall match each other. Set gas flames so that they do not extend further than the base of the container.

13. Do not use containers that are unstable and that may be easily tipped over on the cooktop.

14. Do not put empty pots and pans on the hobs with their flames on.

15. Always turn off the hobs after each use.

16. Do not put containers that may be affected by heat on the product.

17. Do not operate the hobs without any pots and pans placed on them.

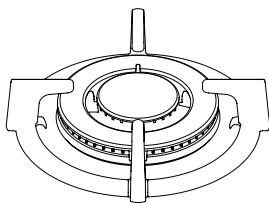
18. Do not place the lids of the pots and pans on the hobs.

19. When you want to put the pot on another hob, take the pot up and place it again instead of sliding it.

20. Keep the lid of container you use for heating oil open.

21. Do not put oil with a volume more than one third of the pan. Do not leave the oil unattended when the oil is being heated. Extremely hot oils may cause fire.

Wok Burner *



As it possesses double ring flame system, it gives homogenous heat distribution at the bottom of cooking pot at high temperature. It is ideal for short term and high temperature cooking. When you want to use regular cooking pot on wok burner, it is necessary that you remove wok cooking pot carrier from cooktop.

Pot Sizes

Recommended pot diameters to be used are provided in the following tables.

Glass hobs	30 cm hobs	45 cm hobs	60 cm hand control	60 cm control front	70 cm control front	90 cm control front
Small burner	12-18 cm	12-18 cm	12-18 cm	12-18 cm	12-18 cm	12-18 cm
Middle burner	---	18-20 cm	18-20 cm	18-20 cm	18-20 cm	18-22 cm
Big burner	18-24 cm	22-24 cm	22-24 cm	22-24 cm	22-24 cm	22-26 cm
Wok burner	24-26 cm	---	24-26 cm	24-26 cm	24-26 cm	26-30 cm

Metal hobs	30 cm hobs	45 cm hobs	60 cm hand control	60 cm control front	70 cm control front	90 cm control front
Small burner	12-18 cm	12-18 cm	12-18 cm	12-18 cm	12-18 cm	12-18 cm
Middle burner	---	18-20 cm	18-20 cm	18-20 cm	18-20 cm	18-22 cm
Big burner	18-22 cm	22-24 cm	22-26 cm	22-24 cm	22-24 cm	22-26 cm
Wok burner	24-26 cm	24-26 cm	24-26 cm	24-26 cm	24-26 cm	26-32 cm

WARNING: Cooking pot to be used with products should have minimum 120 mm diameter.



Splashes and overflow may cause damage to the cooktop surface and fire.



Do not use containers with convex or concave bases.



If the diameter of the pot is smaller than the diameter of the hob, this shall waste energy.



Use pots and pans with flat bases only.

MAINTENANCE AND CLEANING

Before starting to maintenance or cleaning, firstly unplug the plug supplying electricity to cooktop and turn down gas valve. If cooktop is hot, wait for cooling down.

1. For the purpose that your cooktop has long and economic life, regular cleaning and maintenance should be performed on your cooktop.

2. Do not clean your cooktop with scratching tools such as bristle brush, wire wool or knife. Do not use abrasive, scratching, acid materials or detergent.

3. Following mopping parts of your cooktop with soapy cloth, rinse it, later rinse well with a soft cloth.

4. Clean glass surfaces with special glass cleaning substances. As scratching of glass surfaces leads to breaking, while cleaning glass surfaces, do not use abrasive cleaners or sharp metal scrapers.

5. Do not clean your cooktop with steamy cleaners.

6. Clean channels and lids of cooktop zones with soapy water and clean gas channels with a brush.

7. In the course of cleaning your cooktop, never use flammable materials such as acid, thinner and gas.

8. Do not wash plastic and aluminium parts of your cooktop in dishwasher.

9. Clean vinegar, lemon, salt, coke and similar acid and alkaline containing substances poured on your cooktop immediately.

10. In time, cooktop buttons turns hard or never turn any more, in such circumstances, it may be necessary that buttons are changed. The change should only be done by authorized service.

TROUBLESHOOTING

You may solve the problems you may encounter with your product by checking the following points before calling the technical service.

Check Points

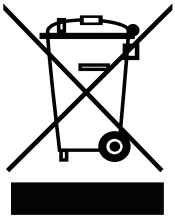
In case you experience a problem about the cooker, first check the table below and try out the suggestions.

Problem	Possible cause	Remedy
No Ignition.	No sparks.	Check power supply.
	Cooker cover is not fitted properly.	Fit the cover properly.
	Gas supply is closed.	Fully open gas supply.
Not Proper Ignition.	Gas supply not fully open.	Fully open gas supply.
	Cooker cover is not fitted properly.	Fit the cover properly.
	Ignition plug is clogged with foreign materials.	Wipe off foreign materials with a cloth.
	Hobs are wet.	Carefully dry the hobs.
	Flame spreader holes are clogged.	Clean the flame spreader.
Noise coming when burning or during ignition.	Cooker cover is not fitted properly.	Fit the cover properly.
Flame turns off during operation.	Flame observer device is clogged by foreign material.	Clean flame observer device.
	Overflow food turns off the flame.	Switch off the hob. Wait for one minute and ignite again.
	A strong air flow turns off the flame.	Please check related hob and check the cooking area for air flows, for example, from an open window. Wait for one minute and ignite again.
Yellow flame.	Flame spreader holes are clogged.	Clean the flame spreader.
	Different gas is being used.	Check the gas being used.
Unstable flame.	Cooker cover is not fitted properly.	Fit the cover properly.
Gas odour.	Hob spout left open.	Check if any hob spouts are left open.
	Leakage from connection of gas cylinder to cooker.	Make sure connections are leak-proof.
Lighter not operating.	Tips or body of ignition plugs are clogged.	Clean tips or body of ignition plugs of gas burners.
	Gas burner pipes are clogged.	Clean gas burner pipes.

HANDLING RULES

1. Carry out the movement and transportation in the original packaging.
2. Pay maximum attention to the appliance while loading/unloading and handling.
3. Make sure that the packaging is securely closed during handling and transportation.
4. Protect from external factors (such as humidity, water, etc.) that may damage the packaging.
5. Be careful not to damage the appliance due to bumps, crashes, drops, etc. while handling and transporting and not to break or deform it during operation.

ENVIRONMENTALLY-FRIENDLY DISPOSAL



Dispose of packaging in an environmentally-friendly manner.

This appliance is labelled in accordance with European Directive 2012/19/EU concerning used electrical and electronic appliances (waste electrical and electronic equipment - WEEE). The guideline determines the framework for the return and recycling of used appliances as applicable throughout to the EU.

PACKAGE INFORMATION

Packaging materials of the product are manufactured from recyclable materials in accordance with our National Environment Regulations. Do not dispose of the packaging materials together with the domestic or other wastes. Take them to the packaging material collection points designated by the local authorities.

Drogi Użytkowniku,

Naszym celem jest zapewnienie najlepszej wydajności urządzenia starannie wytwarzanego w naszych nowoczesnych obiektach, zgodnie z koncepcją totalnej jakości.

Dlatego zalecamy zapoznanie się z instrukcją obsługi przed przystąpieniem do użytkowania urządzenia i zachowanie jej na przyszłość.

Uwaga: Niniejsza instrukcja obsługi przygotowana została dla więcej niż jednego modelu. Niektóre funkcje określone w instrukcji mogą nie być dostępne w Twoim urządzeniu.

Wszystkie nasze urządzenia są przeznaczone wyłącznie do użytku domowego, a nie do użytku komercyjnego.

Urządzenia oznaczone (*) są opcjonalne.

„Zgodne z przepisami WEEE.”

Spis treści

Ważne ostrzeżenia.....	33
Podłączenie elektryczne.....	42
Podłączenie gazu.....	43
Budowa urządzenia.....	46
Dane techniczne.....	47
Montaż kuchenki.....	49
Wymiary otworu w blacie.....	52
Panel kontrolny.....	53
Obsługa płyty kuchennej.....	54
Konserwacja i czyszczenie.....	57
Rozwiązywanie problemów.....	58
Zasady przenoszenia.....	59
Przyjazna środowisku utylizacja.....	59
Informacje opakowaniu.....	59

WAŻNE OSTRZEŻENIA

1. Instalacja i naprawa powinny zawsze być wykonywane przez „**AUTORYZOWANY SERWIS**”. Producent nie ponosi odpowiedzialności za czynności wykonywane przez osoby nieuprawnione.

2. Proszę uważnie przeczytać tę instrukcję obsługi. Tylko w ten sposób można bezpiecznie i prawidłowo korzystać z urządzenia.

3. Kuchenka powinna być używana zgodnie z instrukcją obsługi.

4. Utrzymuj dzieci w wieku poniżej 8 lat i zwierzęta domowe z dala od urządzenia podczas jego pracy.

5. **OSTRZEŻENIE: Ryzyko pożaru: nie przechowuj materiałów na powierzchni gotującej.**

6. **OSTRZEŻENIE: Podczas pracy zarówno urządzenie, jak i dostępne części są gorące.**

7. Warunki ustawienia tego urządzenia są podane na etykiecie. (Lub na tabliczce znamionowej)

8. Dostępne części mogą być gorące, gdy używany jest grill. Małe dzieci nie powinny się zbliżać do urządzenia.

9. **OSTRZEŻENIE: To urządzenie jest przeznaczone do gotowania. Nie należy go używać do innych celów, np. do ogrzewania pomieszczenia.**

10. Aby wyczyścić urządzenie, nie używaj wytwornic pary.

11. NIGDY nie próbuj gasić ognia wodą. Wyłącz obwód elektryczny urządzenia i przykryj płomień narzutą lub kocem przeciwpożarowym.

12. Dzieci poniżej 8 roku życia, o ile nie są nieustannie pilnowane, nie powinny się zbliżać do urządzenia.

13. Powinno się unikać dotykania elementów grzejnych.

14. OSTROŻNIE: Proces gotowania musi być nadzorowany. Proces gotowania musi być zawsze nadzorowany.

15. Urządzenie nie może być używane w połączeniu z zewnętrznym wyłącznikiem czasowym lub osobnym zdalnym urządzeniem sterującym.

16. Urządzenie może być używane przez dzieci powyżej 8 roku życia, osoby niepełnosprawne fizycznie i psychicznie lub osoby z brakiem doświadczenia lub wiedzy o ile zostaną one poinformowane o istniejących zagrożeniach.

17. To urządzenie zostało zaprojektowane wyłącznie do użytku domowego.

18. Dzieciom nie wolno używać urządzenia do zabawy. Czyszczenie i konserwacja urządzenia nie powinny być wykonywane przez dzieci poniżej 8 roku życia i bez nadzoru osoby dorosłej.

19. Trzymaj urządzenie i jego przewód zasilania poza zasięgiem dzieci poniżej 8 roku życia.

20. Przed rozpoczęciem korzystania z urządzenia należy umieścić zasłony, tiule, papier lub inne łatwopalne (zapalne) materiały z dala od niego. Nie umieszczaj zapalnych lub łatwopalnych materiałów na lub w urządzeniu.

21. Utrzymuj kanały wentylacyjne otwarte.

22. Nie podgrzewaj zamkniętych puszek i szklanych słoików. Ciśnienie może doprowadzić do eksplozji słoików.

23. Nie należy używać urządzenia po zażyciu leków i/lub pod wpływem alkoholu, co może wpływać na zdolność oceny sytuacji.

24. Po każdym użyciu sprawdź, czy urządzenie jest wyłączone.

25. Zachowaj ostrożność, gdy używasz alkoholu w żywności. Alkohol odparuje w wysokich temperaturach i może zapalić się, powodując pożar, jeśli wejdzie w kontakt z gorącymi powierzchniami.

26. Jeśli urządzenie jest uszkodzone lub ma widoczne uszkodzenia, nie należy go używać.

27. Nie umieszczaj na urządzeniu przedmiotów, które dzieci mogą dosięgnąć.

28. Materiały opakowaniowe są niebezpieczne dla dzieci. Trzymaj materiał użyty do opakowania z dala od dzieci.

29. Zasilanie kuchenki można odłączyć podczas wszelkich prac budowlanych w domu. Po zakończeniu prac ponowne podłączenie piekarnika powinno być wykonane przez autoryzowany serwis.

30. Nie umieszczaj metalowych przyborów, takich jak nóż, widelec, łyżka, na powierzchni urządzenia, ponieważ bardzo się nagrzeją.

31. Aby zapobiec przegrzaniu, urządzenie nie powinno być instalowane za ozdobną zasłoną.

32. Wyłącz urządzenie przed usunięciem zabezpieczeń. Po czyszczeniu zamontuj zabezpieczenia zgodnie z instrukcjami.

33. Punkt mocowania kabla powinien być chroniony.

34. OSTROŻNIE: Jeśli szklana powierzchnia kuchenki jest uszkodzona, natychmiast wyłącz element grzewczy i odłącz urządzenie od źródła zasilania, nie dotykaj powierzchni urządzenia i nie używaj urządzenia.

35. Użytkownik nie powinien sam przenosić piekarnika.

36. Podczas czyszczenia palników gazowych należy zachować ostrożność. Może to spowodować obrażenia ciała.

37. Ponieważ płyta kuchenna jest gorąca podczas gotowania lub tuż po gotowaniu, można się poparzyć w wyniku działania wysokiej temperatury i pary.

38. Dotykając gorących powierzchni kuchenki podczas gotowania, użytkownik może się poparzyć.

39. Jeżeli cięższe naczynia znajdują się na kuchence, mogą się przewrócić. Może to spowodować obrażenia ciała.

40. Przy instalacji należy pozostawić łatwy dostęp do wtyczki lub wyłącznika w celu wyłączenia urządzenia.

Bezpieczeństwo elektryczne

1. Podłącz urządzenie do uziemionego gniazdka, zabezpieczonego bezpiecznikiem zgodnym z wartościami podanymi na karcie specyfikacji technicznych.

2. Poproś wykwalifikowanego elektryka o zamontowanie wyposażenia uziemiającego. Nasza firma nie ponosi odpowiedzialności za szkody powstałe w wyniku użytkowania urządzenia bez uziemienia, zgodnie z lokalnymi przepisami.

3. OSTRZEŻENIE: Jeśli powierzchnia jest pęknięta, wyłącz urządzenie, aby uniknąć porażenia prądem.

4. Nie wolno myć produktu, spryskując go lub polewając wodą! Istnieje ryzyko porażenia prądem!

5. Nie dotykaj wtyczki zasilania mokrymi rękami. Nie ciągnij za kabel, aby odłączyć zasilanie, zawsze trzymaj za wtyczkę.

6. Podczas instalacji, konserwacji, czyszczenia i naprawy, urządzenie powinno być odłączone od zasilania.

7. Upewnij się, że wtyczka jest solidnie włożona do gniazdka ściennego, aby uniknąć iskrzenia.

8. Jeśli przewód zasilający (przewód z wtyczką) jest uszkodzony, powinien on zostać wymieniony przez producenta lub jego przedstawiciela serwisowego lub wykwalifikowanego fachowca, aby zapobiec niebezpiecznej sytuacji.

9. Nie używaj przeciętych lub uszkodzonych przewodów ani przedłużaczy innych niż oryginalny przewód.

10. Nie używaj wytwornic pary do czyszczenia urządzenia, w przeciwnym razie może dojść do porażenia prądem.

11. Upewnij się, że w gniazdku, do którego włożona jest wtyczka urządzenia, nie ma cieczy ani wilgoci.

12. Do instalacji wymagany jest przełącznik omnipolarny umożliwiający odłączenie zasilania. Odłączenie od zasilania powinno być zapewnione przez zainstalowany wyłącznik lub zintegrowany bezpiecznik, zgodnie z przepisami budowlanymi.

13. Przewód zasilający (przewód z wtyczką) nie powinien stykać się z gorącymi częściami urządzenia.

14. Podczas instalacji, konserwacji, czyszczenia i naprawy, urządzenie powinno być odłączone od zasilania.

15. Urządzenie wyposażone jest w kabel **typu „Y”**.

16. Przełączniki wyłącznika automatycznego piekarnika powinny być umieszczone tak, aby użytkownik mógł ich dosięgnąć po zainstalowaniu piekarnika.

17. Połączenia stałe należy podłączyć do źródła zasilania umożliwiającego odłączenie omnipolarne. W przypadku urządzeń z kategorią nadnapięcia poniżej III, urządzenie odłączające należy podłączyć do stałego źródła zasilania zgodnie z przepisami budowlanymi.

18. Nie należy wyjmować przełączników zapalarki z urządzenia. W takim przypadku powstaje dostęp do kabli elektrycznych pod napięciem. Może to spowodować porażenie prądem.

Bezpieczeństwo gazowe

1. To urządzenie nie jest podłączone do urządzenia ewakuacji produktów spalania. To urządzenie musi być podłączone i zainstalowane zgodnie z obowiązującymi przepisami instalacyjnymi. Należy uwzględnić warunki dotyczące wentylacji.

2. Gdy używane jest urządzenie do gotowania gazowego: w pomieszczeniu wytwarzane są produkty spalania, wilgoć i ciepło. Przede wszystkim upewnij się, że kuchnia jest dobrze wentylowana podczas obsługi urządzenia i utrzymuj w czystości naturalne otwory wentylacyjne lub zainstaluj mechaniczny sprzęt wentylacyjny.

3. Po intensywnym użytkowaniu urządzenia przez dłuższy czas, może być wymagana dodatkowa wentylacja. Na przykład otwórz okno lub ustaw wyższą prędkość dla wentylacji mechanicznej, jeśli taka jest.

4. Urządzenie to może być używane tylko w dobrze wentylowanych pomieszczeniach zgodnie z obowiązującymi przepisami. Przeczytaj ten podręcznik użytkownika przed instalacją lub używaniem tego urządzenia.

5. Przed ustawieniem urządzenia upewnij się, że warunki sieci lokalnej (rodzaj gazu i ciśnienie gazu) odpowiadają wymaganiom urządzenia.

6. Mechanizm nie może być uruchamiany na dłużej niż 15 sekund. Jeśli palnik nie zapali się po 15 sekundach, należy zatrzymać mechanizm i odczekać co najmniej jedną minutę przed ponowną próbą zapalenia palnika.

7. Wszelkie czynności wykonywane przy instalacji gazowej muszą być wykonywane przez upoważnione i kompetentne osoby.

8. To urządzenie jest dostosowane do gazu ziemnego (NG). Jeśli musisz używać urządzenia z innym rodzajem gazu, musisz wystąpić do autoryzowanego serwisu o jego konwersję.

9. Aby zapewnić prawidłowe działanie, okap, rura gazowa i zacisk powinny być okresowo wymieniane zgodnie z zaleceniami producenta i w razie potrzeby.

10. Gaz powinien dobrze palić się w urządzeniach gazowych. Dobrze palący się gaz ma niebieski płomień i pali się nieprzerwanie. Jeśli gaz nie spala się wystarczająco dobrze, może wytwarzać się tlenek węgla (CO). Tlenek węgla jest bezbarwnym, bezwonnym i bardzo toksycznym gazem: nawet małe ilości mają śmiertelne skutki.

11. Zapytaj lokalnego dostawcę gazu o numery telefonów w nagłych wypadkach związanych z gazem oraz o środki, jakie należy podjąć po wykryciu zapachu gazu.

Co zrobić, gdy wykryty zostanie zapach gazu

1. Nie używaj otwartego ognia i nie pal.
2. Nie używaj żadnego przełącznika elektrycznego (np.: włącznika światła lub dzwonka do drzwi).
3. Nie używaj telefonu ani telefonu komórkowego.
4. Otwórz drzwi i okna.
5. Zakręć wszystkie zawory urządzeń, które wykorzystują gaz oraz liczniki gazu.
6. Zadzwoń po straż pożarną z telefonu poza domem.
7. Sprawdź wszystkie węże i ich połączenia pod kątem nieszczelności. Jeśli nadal czujesz gaz, opuść dom i ostrzeż swoich sąsiadów.
8. Nie wchodź do domu, dopóki władze nie stwierdzą, że jest to bezpieczne.

Przeznaczenie

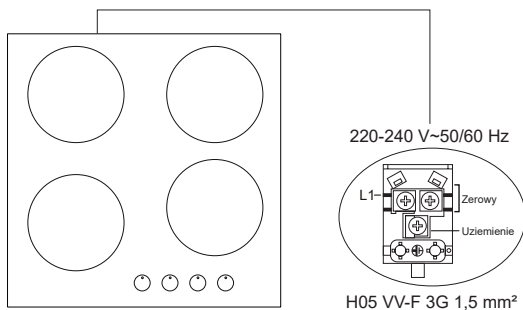
1. Ten produkt jest przeznaczony do użytku domowego. Komercyjne korzystanie z urządzenia jest niedozwolone.
2. To urządzenie może być używane wyłącznie do gotowania. Nie należy go używać do innych celów, np. do ogrzewania pomieszczenia.
3. Producent nie bierze na siebie odpowiedzialności za jakiegokolwiek uszkodzenia spowodowane niepoprawnym użytkowaniem lub obsługą.
4. Okres użytkowania zakupionego produktu wynosi 10 lat. Jest to okres, w którym części zamienne wymagane do określonego działania tego urządzenia są zapewniane przez producenta.

Podłączenie Elektryczne

1. Ustawienia urządzenia podano na etykiecie lub wywieszce z danymi.
2. Urządzenie powinno być połączone z odpowiednim bezpiecznikiem o parametrach zgodnych z zasilaniem sieciowym. W razie potrzeby należy zlecić połączenie autoryzowanemu serwisowi.
3. Urządzenie jest dostosowane do zasilania sieciowego 220-240 V AC 50/60 Hz.
4. Jeśli parametry sieci zasilania różnią się od tych wartości, należy skontaktować się z autoryzowanym serwisem.
5. Połączenia elektryczne urządzenia powinny być doprowadzone do bezpieczników z odpowiednim uziemieniem. Jeśli w miejscu instalacji urządzenia nie ma dostępu do bezpieczników, należy natychmiast skontaktować się z autoryzowanym serwisem. Producent urządzenia w żadnym stopniu nie ponosi odpowiedzialności za uszkodzenia wynikające z braku uziemienia bezpieczników podłączonych do urządzenia.
6. Wtyczka urządzenia powinna zapewniać łatwy dostęp do uziemionego bezpiecznika bez stosowania przedłużaczy.
7. Nie należy dopuścić do zetknięcia się przewodu zasilającego z gorącymi miejscami na powierzchni urządzenia. Przewód należy odsunąć od ostrych krawędzi i narożników.
8. Uszkodzony przewód zasilający powinien zostać wymieniony przez producenta, punkt serwisowy lub pracownika o równorzędnych kwalifikacjach w celu uniemożliwienia wystąpienia niebezpiecznej sytuacji.
9. Nieprawidłowo wykonane połączenie elektryczne może doprowadzić do uszkodzenia urządzenia. W takim przypadku urządzenie nie będzie podlegać warunkom gwarancyjnym. Podłączenie elektryczne urządzenia powinno zostać wykonane przez autoryzowany serwis.

Schemat połączeń elektrycznych

Podłączenie elektryczne urządzenia powinno zostać wykonane przez upoważnioną osobę zgodnie z poniższym schematem.



Podłączenie Gazu

OSTRZEŻENIE: Przed rozpoczęciem jakichkolwiek prac związanych z instalacją gazową, należy odciąć dopływ gazu. Ryzyko wybuchu.

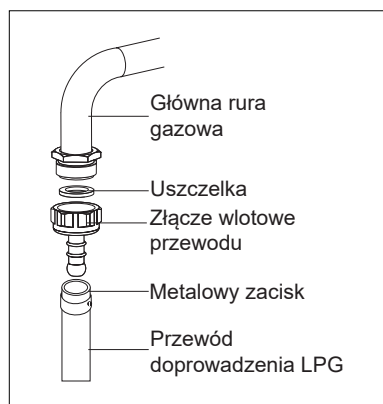
1. Urządzenie należy podłączyć jak najbliżej zaworu gazowego w celu uniemożliwienia wystąpienia nieszczelności. Dla bezpieczeństwa długość przewodu powinna wynosić od 40 do 125 cm.

2. Do sprawdzania szczelności instalacji gazowej nie należy nigdy używać zapalniczki, zapalek, palącego się papierosa ani innych substancji łatwopalnych.

3. Na połączenie należy nałożyć wodę z mydłem. W nieszczelnych miejscach pojawi się piana.

4. Jeśli płyta kuchenna ma zostać zamontowana w szafce lub otwieranej szufladzie, pod płytą należy zamontować panel termiczny z otworem o minimalnej szerokości 15 mm.

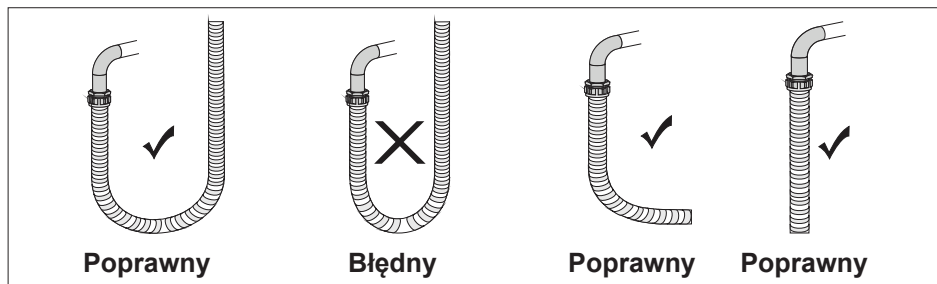
Do podłączenia LPG;



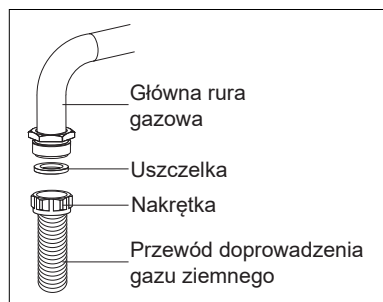
Aby podłączyć LPG (butli), przymocuj metalowy zacisk na wężu pochodzącym z butli LPG. Przymocuj krawędź węża do złączki wlotu węża za urządzeniem, popychając do końca, ogrzewając węż w gotowanej wodzie. Następnie, należy przesunąć zacisk w kierunku końca węża i dokręcić śrubokrętem. Uszczelka i złącze wlotu węża wymagane do podłączenia pokazano na ilustracji poniżej.

UWAGA: Na butli LPG należy zamocować reduktor 300mm SS.

OSTRZEŻENIE: Przewód gazowy oraz połączenie elektryczne urządzenia nie powinny przechodzić w pobliżu miejsc o wysokiej temperaturze, np. z tyłu urządzenia. Przewód gazowy powinien przebiegać bez załamania w celu uniemożliwienia uszkodzenia. Przesunięcie urządzenia po podłączeniu instalacji gazowej może spowodować nieszczelność tej instalacji.



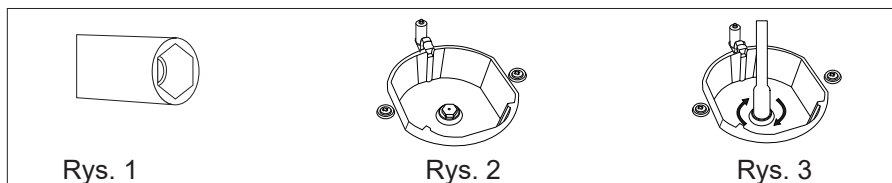
Do podłączenia gazu ziemnego;



OSTRZEŻENIE: Podłączenie gazowe urządzenia powinno zostać wykonane przez autoryzowany serwis. W przypadku instalacji gazu ziemnego należy założyć uszczelkę na nakrętkę na końcu przewodu doprowadzającego gaz ziemny. Aby podłączyć przewód do rury gazowej, należy dokręcić nakrętkę. Sprawdzić szczelność instalacji gazowej.

Zmiana zasilania gazem ziemnym na LPG i odwrotnie

1. Zamknąć zawór gazowy i wyłączyć zasilanie elektryczne płyty kuchennej. Jeśli płyta kuchenna jest mocno nagrzana, pozostawić ją do ostygnięcia.
2. W przypadku wymiany dysz należy użyć wkrętaka z końcówką przedstawioną na rysunku 1.
3. Zdemontować pokrywę palnika oraz palnik płyty gazowej tak, aby odsłonić dyszę (zgodnie z rysunkiem 2).
4. Zdemontować dyszę, obracając ją wkrętakiem zgodnie z rysunkiem 3 i wymienić ją na nową.



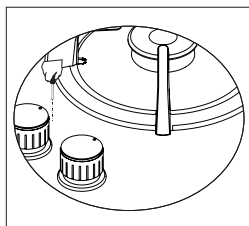
Rys. 1

Rys. 2

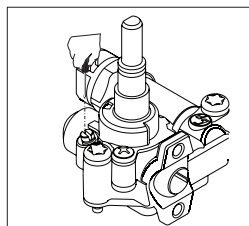
Rys. 3

5. Następnie zdemontować pokrętła płyty kuchennej. Wyregulować ustawienia, obracając śrubę na środku kurków gazowych małym wkrętakiem w sposób przedstawiony na poniższym rysunku. W celu regulacji przepływu gazu należy użyć wkrętaka o odpowiednim rozmiarze. W przypadku zasilania gazem LPG obrócić tę śrubę w kierunku ruchu wskazówek zegara. W przypadku zasilania gazem ziemnym wykonać jeden obrót śruby w kierunku przeciwnym do ruchu wskazówek zegara. W położeniu minimalnym wysokość płomienia powinna wynosić 6-7 mm. Na koniec należy sprawdzić, czy dopływ gazu jest otwarty czy zamknięty.

Ustawienia urządzenia mogą się różnić w zależności od zastosowanego zaworu gazowego.



Rys. 4



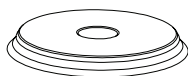
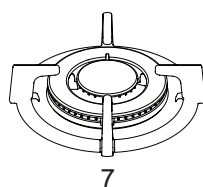
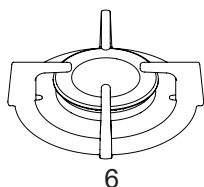
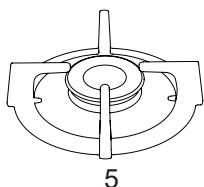
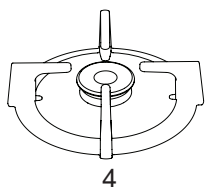
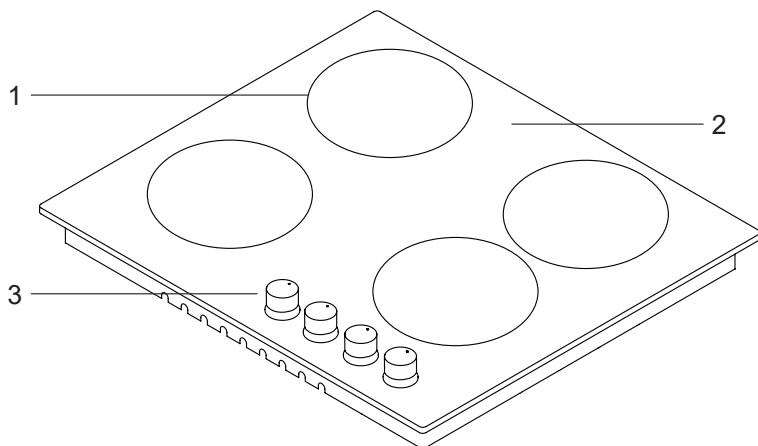
Rys. 5

Wentylacja pomieszczenia

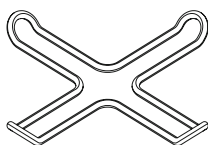
Powietrze wymagane do procesu spalania jest pobierane z pomieszczenia, a gazy wytwarzane w wyniku spalania są emitowane do tego pomieszczenia. W celu zapewnienia bezpiecznego użytkowania tego produktu należy wcześniej zapewnić odpowiednią wentylację w pomieszczeniu. Jeśli w pomieszczeniu nie ma okna ani miejsca zapewniającego wentylację, należy zastosować dodatkową instalację wentylacyjną. Jeśli jednak w pomieszczeniu są drzwi wychodzące na zewnątrz budynku, nie są wymagane dodatkowe otwory wentylacyjne.

Kubatura pomieszczenia	Otwór wentylacyjny
Mniej niż 5 m ³	min. 100 cm ²
5-10 m ³	min. 50 cm ²
Mniej niż 10 m ³	niewymagany
W podziemiu lub piwnicy	min. 65 cm ²

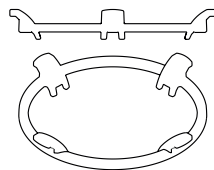
BUDOWA URZĄDZENIA



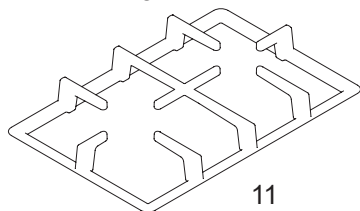
8



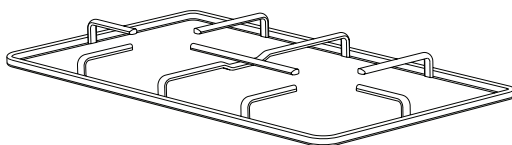
9



10



11



12

1. Rozmieszczenie palników
2. Powierzchnia szklana lub metalowa
3. Pokręta
4. Mały palnik
5. Średni palnik
6. Duży palnik

7. Palnik do woka *
8. Płyta grzejna *
9. Podstawka do zaparzania kawy *
10. Podstawka palnika do woka *
11. Kratownica żeliwna
12. Kratownica emaliowana

Dane Techniczne

Elektryczne płyty kuchenne można obsługiwać, włączając przycisk na panelu sterowania i ustawiając odpowiedni stopień grzania. Płyta kuchenna działa z ustawieniami mocy zgodnie z poniższą tabelą.

Specyfikacje	Poziom 1	Poziom 2	Poziom 3	Poziom 4	Poziom 5	Poziom 6
Ø80 mm płytka podgrzewacza	200 W	250 W	450 W	---	---	---
Ø145 mm płytka podgrzewacza	250 W	750 W	1000 W	---	---	---
Ø180 mm płytka podgrzewacza	500 W	750 W	1500 W	---	---	---
Ø145 mm szybki płytka podgrzewacza	500 W	1000 W	1500 W	---	---	---
Ø180 mm szybki płytka podgrzewacza	850 W	1150 W	2000 W	---	---	---
Ø145 mm płytka podgrzewacza	95 W	155 W	250 W	400 W	750 W	1000 W
Ø180 mm płytka podgrzewacza	115 W	175 W	250 W	600 W	850 W	1500 W
Ø145 mm szybki płytka podgrzewacza	135 W	165 W	250 W	500 W	750 W	1500 W
Ø180 mm szybki płytka podgrzewacza	175 W	220 W	300 W	850 W	1150 W	2000 W
Napięcie zasilania	220-240 V 50/60 Hz.					

Dysza, przepływ i zasilanie stół

Palnik Specyfikacje	G20,20 mbar G25,25 mbar			G20,25 mbar		G20,13 mbar	
	Gazu ziemnego			Gazu ziemnego		Gazu ziemnego	
Wok palnik (3,5)	Dysza	1,40	mm	1,28	mm	1,60	mm
	Przepływ gazu	0,333	m³/h	0,333	m³/h	0,333	m³/h
	Zasilanie	3,50	kW	3,50	kW	3,50	kW
Wok palnik (2,5)	Dysza	1,15	mm	1,06	mm	1,35	mm
	Przepływ gazu	0,243	m³/h	0,243	m³/h	0,243	m³/h
	Zasilanie	2,50	kW	2,50	kW	2,50	kW
Rapid palnik	Dysza	1,15	mm	1,10	mm	1,45	mm
	Przepływ gazu	0,276	m³/h	0,276	m³/h	0,276	m³/h
	Zasilanie	2,90	kW	2,90	kW	2,90	kW
Semi-Rapid palnik	Dysza	0,97	mm	0,92	mm	1,10	mm
	Przepływ gazu	0,162	m³/h	0,162	m³/h	0,162	m³/h
	Zasilanie	1,70	kW	1,70	kW	1,70	kW
Pomocniczy palnik	Dysza	0,72	mm	0,70	mm	0,85	mm
	Przepływ gazu	0,96	m³/h	0,96	m³/h	0,96	m³/h
	Zasilanie	0,95	kW	0,95	kW	0,95	kW

Palnik Specyfikacje	G30,28-30 mbar G31,37 mbar			G30,50 mbar		G30,37 mbar	
	LPG			LPG		LPG	
Wok Palnik (3,5)	Dysza	0,96	mm	0,76	mm	0,96	mm
	Przepływ gazu	254	g/h	254	g/h	254	g/h
	Zasilanie	3,50	kW	3,50	kW	3,50	kW
Wok Palnik (2,5)	Dysza	0,82	mm	0,73	mm	0,78	mm
	Przepływ gazu	182	g/h	182	g/h	182	g/h
	Zasilanie	2,50	kW	2,50	kW	2,50	kW
Rapid Palnik	Dysza	0,85	mm	0,75	mm	0,85	mm
	Przepływ gazu	211	g/h	211	g/h	211	g/h
	Zasilanie	2,90	kW	2,90	kW	2,90	kW
Semi-Rapid Palnik	Dysza	0,65	mm	0,60	mm	0,65	mm
	Przepływ gazu	124	g/h	124	g/h	124	g/h
	Zasilanie	1,70	kW	1,70	kW	1,70	kW
Pomocniczy Palnik	Dysza	0,50	mm	0,43	mm	0,50	mm
	Przepływ gazu	69	g/h	69	g/h	69	g/h
	Zasilanie	0,95	kW	0,95	kW	0,95	kW

OSTRZEŻENIE: Wartości średnic zapisane na dyszy są podane bez przecinka. Na przykład: średnica 1,70 mm jest podana jako 170 na dyszy.

OSTRZEŻENIE: Aby modyfikacja została wykonana przez autoryzowany serwis, należy wziąć pod uwagę tę tabelę. Producent nie ponosi odpowiedzialności za jakiegokolwiek problemy powstałe z powodu wadliwej modyfikacji.

OSTRZEŻENIE: W celu podwyższenia jakości produktu, specyfikacje techniczne mogą ulec zmianie bez wcześniejszego powiadomienia.

OSTRZEŻENIE: Wartości dostarczone z urządzeniem lub towarzyszącymi mu dokumentami są odczytami laboratoryjnymi zgodnymi z odpowiednimi normami. Wartości te mogą się różnić w zależności od zastosowania i warunków otoczenia.

MONTAŻ KUCHENKI

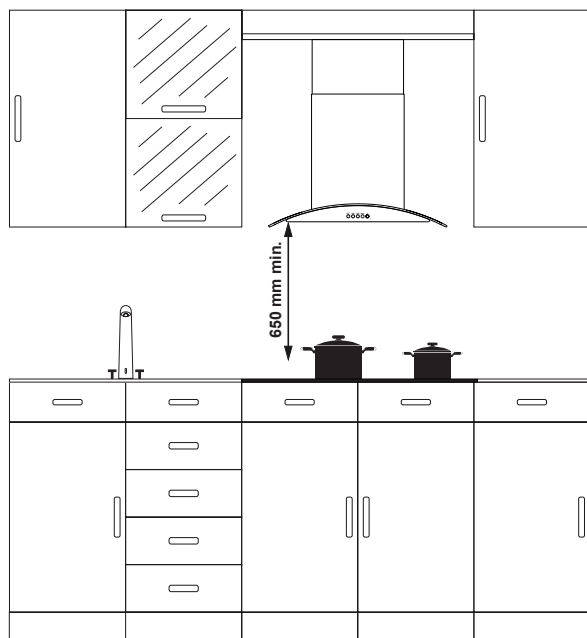
Sprawdź, czy instalacja elektryczna jest odpowiednia do doprowadzenia urządzenia do stanu eksploatacyjnego. Jeśli tak nie jest, wezwij elektryka i hydraulika, aby dostosowali media do wymagań. Producent nie ponosi odpowiedzialności za szkody spowodowane czynnościami wykonywanymi przez osoby nieuprawnione.

OSTRZEŻENIE: Obowiązkiem klienta jest przygotowanie miejsca, w którym urządzenie zostanie postawione, oraz przygotowanie instalacji elektrycznej.

OSTRZEŻENIE: Podczas instalacji urządzenia należy przestrzegać przepisów lokalnych dotyczących instalacji elektrycznych.

OSTRZEŻENIE: Sprawdź, czy urządzenia nie ma żadnych uszkodzeń przed jego zainstalowaniem. Nie instaluj urządzenia, gdy jest ono uszkodzone. Uszkodzone urządzenia stanowią zagrożenie dla Twojego bezpieczeństwa.

Prawidłowe Miejsce Do Montażu



Urządzenie zostało zaprojektowane z uwzględnieniem wymiarów dostępnych na rynku blatów kuchennych. Należy pozostawić bezpieczną odległość między urządzeniem, ścianami kuchni a meblami.

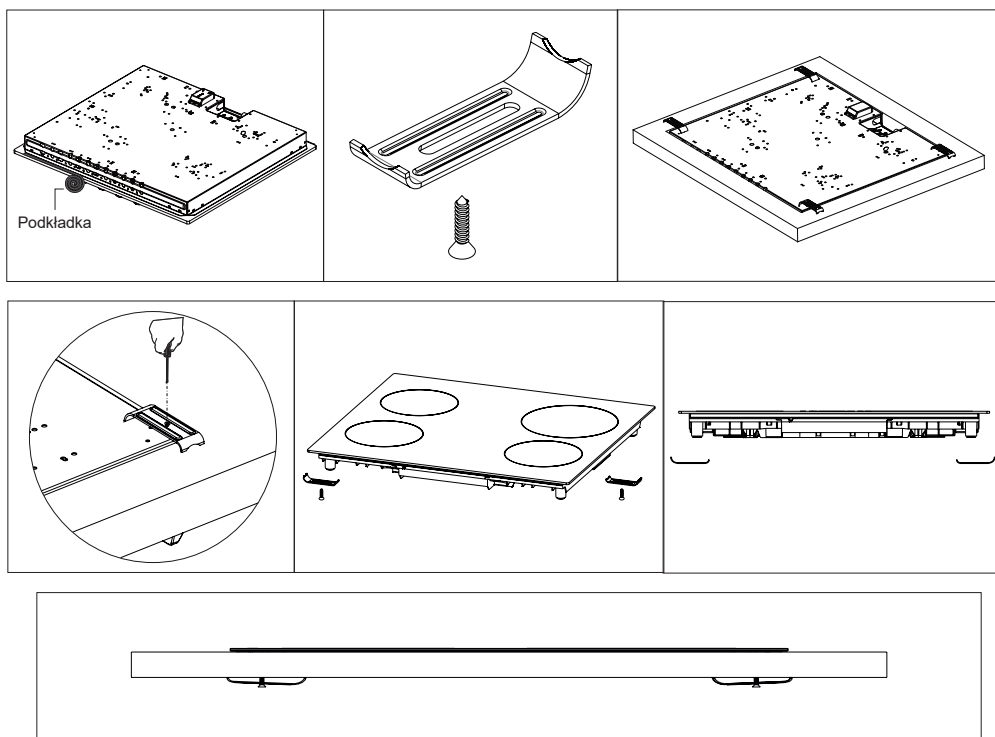
Jeśli nad urządzeniem jest przewidziany montaż okapu, należy uwzględnić zalecenia producenta okapu dotyczące wysokości montażu. (min. 65 cm) Otwór na płytę kuchenną powinien być wycięty pod jej wymiary.

Montaż produktu należy wykonywać zgodnie z wymogami określonymi w normach dotyczących instalacji elektrycznych.

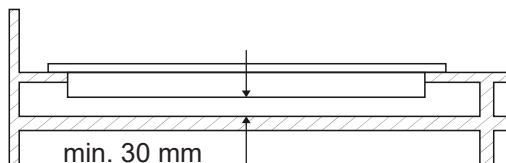
Instalacja

1. Zdjąć palniki, pokrywki i kratownice z urządzenia.
2. Odwrócić płytę kuchenną i położyć ją na miękkiej powierzchni.
3. W celu uniemożliwienia przedostawania się zanieczyszczeń lub płynów między płytą kuchenną a blatem należy nałożyć na dolną krawędź blatu pastę dostarczoną w opakowaniu produktu. W narożnikach nałożyć więcej pasty, aby wypełnić luki.
4. Ponownie odwrócić płytę kuchenną i ustawić ją na blacie.
5. Przymocować płytę kuchenną do blatu za pomocą dostarczonego zacisku i śrub.

Schemat instalacji



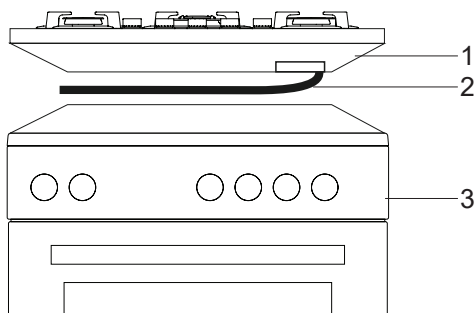
6. W przypadku montażu urządzenia w szufladzie, jeśli można dotknąć dolnej części urządzenia, należy oddzielić ją drewnianą półką.



7. W przypadku montażu urządzenia na szafce (jak pokazano na powyższej ilustracji), w celu oddzielenia szafki i płyty kuchennej należy zamontować odpowiednią półkę. W przypadku montażu urządzenia na piekarniku do zabudowy nie jest wymagane stosowanie dodatkowej półki.

8. Jeśli płyta kuchenna ma zostać zamontowana obok ściany, minimalna odległość między ścianą a płytą kuchenną powinna wynosić 50 mm.

Montaż Piekarnika Do Zabudowy Pod Płytą Kuchenną;

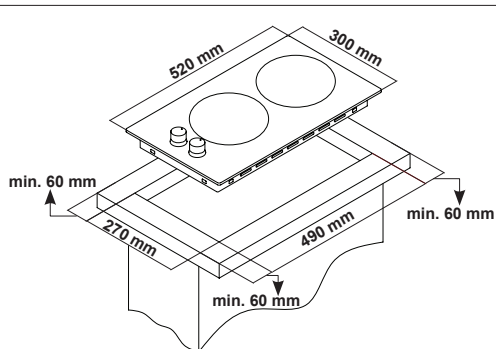


1. Płyta kuchenna
2. Przewód
3. Piekarnik

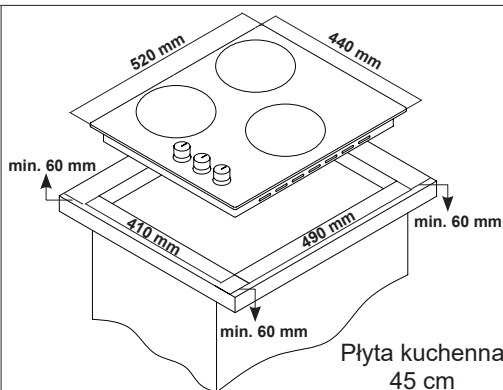
Przewód gazowy powinien być zamontowany tak, aby nie stykał się ze znajdującym się poniżej piekarnikiem, ostrymi krawędziami i narożnikami oraz nie powinien być naciągnięty ani poskręcany. Gaz należy podłączyć z prawej strony płyty kuchennej, a przewód zamocować za pomocą zacisku.

Wymiary Otworu W Blacie

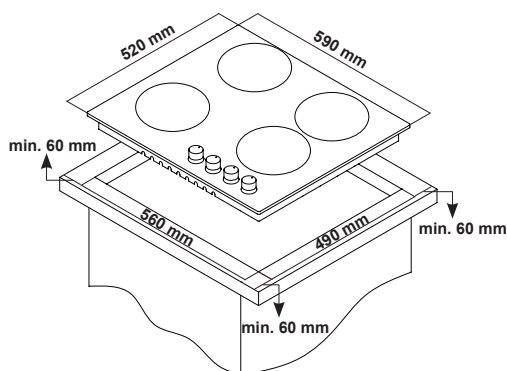
Podczas montażu płyty kuchennej oraz wyznaczania linii cięcia blatu należy skorzystać z poniższych rysunków i wymiarów.



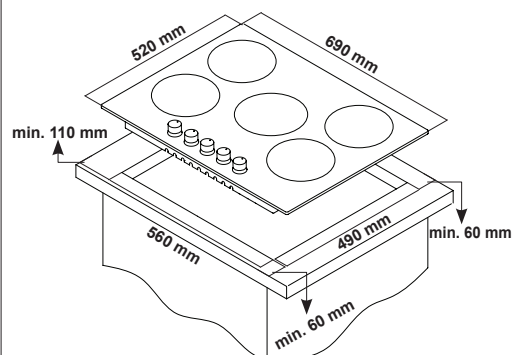
Płyta kuchenna 30 cm



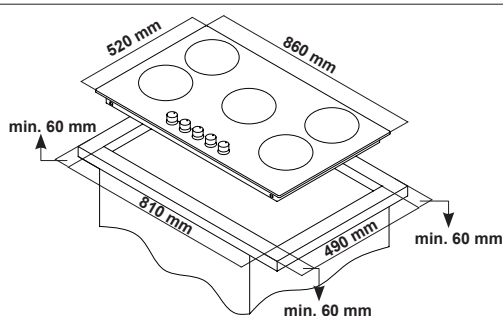
Płyta kuchenna 45 cm



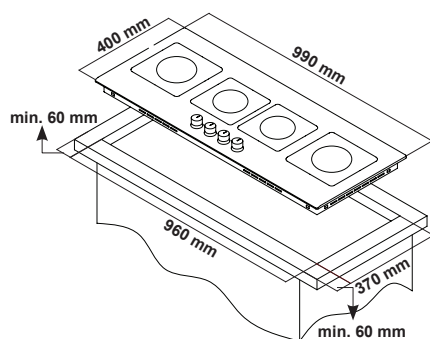
Płyta kuchenna 60 cm



Płyta kuchenna 70 cm



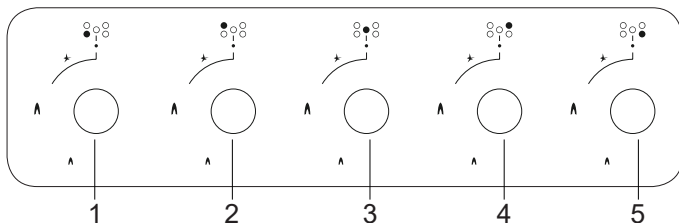
Płyta kuchenna 90 cm



Płyta kuchenna 100 cm

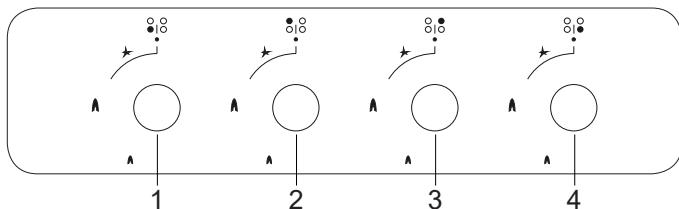
PANEL KONTROLNY

Widok Panelu Płyt Kuchennych 70-90 cm I 100 cm



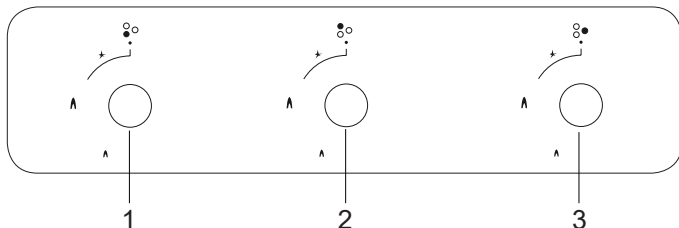
1. Przedni lewy palnik
2. Tylny lewy palnik
3. Palnik do woka
4. Palnik do woka
5. Przedni prawy palnik

Widok Panelu Płyt Kuchennych 60 cm



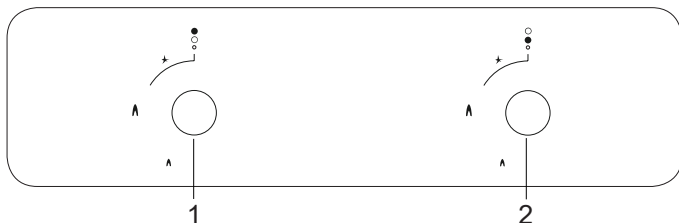
1. Przedni lewy palnik
2. Tylny lewy palnik
3. Palnik do woka
4. Przedni prawy palnik

Widok Panelu Płyt Kuchennych 45 cm



1. Dolny lewy palnik
2. Górny lewy palnik
3. Prawy palnik

Widok Panelu Płyt Kuchennych 30 cm

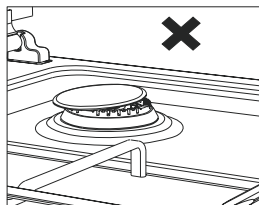


1. Dolny palnik
2. Górny palnik

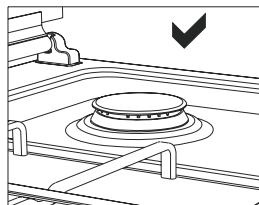
OSTRZEŻENIE: Powyższy panel sterowania ma jedynie charakter poglądowy. Zwróć uwagę panel sterowania swojego urządzenia.

OBSŁUGA PŁYTY KUCHENNEJ

1. Przed rozpoczęciem korzystania z płyty kuchennej należy upewnić się, że pokrywki palników znajdują się na właściwym miejscu. Prawidłowe położenie pokrywek palników przedstawiono na poniższym rysunku.





Rys. 6

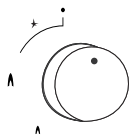


Rys. 7

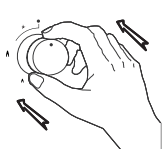
2. Kurki gazowe są wyposażone w specjalny mechanizm blokujący. Z tego względu w celu uruchomienia palnika należy docisnąć kurek i obrócić go w kierunku otwarcia lub zamknięcia.

● Zamknięty  Całkowicie otwarty  Na wpół otwarty

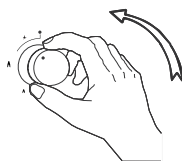
3. W modelach z automatycznym zapłonem zapalarka jest zasilana prądem elektrycznym. Z tego względu przed rozpoczęciem korzystania z urządzenia należy upewnić się, że urządzenie jest podłączone do prądu. Zapalanie płomienia w tych modelach wykonuje się w poniższy sposób.



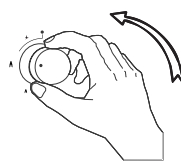
Kurek płyty kuchennej w położeniu zamknięcia.



W celu zapalenia płomienia najpierw docisnąć kurek.



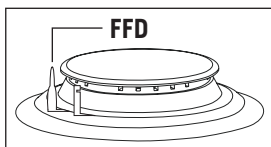
Zapalarka uruchamia się po dociśnięciu kurka.



Obracając dociśnięty kurek w lewo, można regulować wielkość płomienia.

4. Należy zwrócić uwagę, czy kratownice są prawidłowo umieszczone na płycie kuchennej. W przeciwnym razie z postawionych na nich naczyń mogą wylewać się gotowane potrawy.

5. W modelach wyposażonych w czujnik odcinający dopływ gazu po należy docisnąć kurek i przytrzymać go przez 5-10 sekund. Mechanizm zabezpieczający zostanie zwolniony, umożliwiając korzystanie z płyty kuchennej. W przypadku zgaśnięcia płomienia oraz ulatniania się gazu kurek gazowy odetnie dopływ gazu do palnika.



6. Zabezpieczenie przed odcięciem płomienia (FFD) *: działa natychmiast, gdy mechanizm bezpieczeństwa uruchomi się z powodu wykipienia płynu nad górnymi palnikami.

7. W przypadku korzystania z podstawki do zaparzania kawy dostarczonej z płytą kuchenną należy upewnić się, że nóżki podstawki znajdują się dokładnie na środku palnika na kratownicy płyty. Podstawki do zaparzania kawy należy używać tylko na najmniejszym palniku.

8. Podczas korzystania z płyty gazowej należy w miarę możliwości korzystać z rondli. Pozwalają one oszczędzać energię. W poniższej tabeli podano zalecane średnice naczyń w zależności od palników. Palnik do woka umożliwia najszybsze gotowanie.

9. Upewnij się, że kratki są w pełni osadzone na płycie kuchennej. Jeśli kratka nie jest prawidłowo osadzona, może to spowodować rozlanie jedzenia na niej umieszczonego.

10. Umieść garnki i patelnie tak, aby ich uchwyty nie były umieszczone nad płytami grzewczymi, aby zapobiec ich nagrzewaniu się.

11. Umieść odpowiednią ilość jedzenia w garnkach i patelniach. W ten sposób możesz zapobiec przelaniu się jedzenia i uniknąć niepotrzebnego sprzątania.

12. Rozmiar naczynia i płomień gazowy muszą do siebie pasować. Ustaw płomień gazu tak, aby nie sięgały poza podstawę naczynia.

13. Nie używaj naczyń, które są niestabilne i które mogą się łatwo przewrócić na płycie kuchennej.

14. Nie ustawiaj pustych garnków i patelni na płytach grzewczych z włączonymi palnikami.

15. Zawsze wyłączaj płyty po każdorazowym użyciu.

16. Nie umieszczaj na urządzeniu naczyń, na które może oddziaływać ciepło.

17. Nie używaj płyt grzewczych bez umieszczonych na nich garnków i patelni.

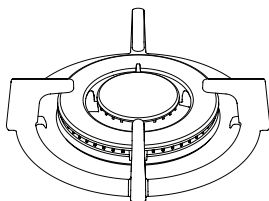
18. Nie umieszczaj pokrywek garnków i patelni na płytach grzewczych.

19. Gdy chcesz umieścić garnek na innej płycie, podnieś garnek i postaw go ponownie, zamiast go przesuwając.

20. Podnieś pokrywkę z naczynia, w którym podgrzewasz olej.

21. N nalewaj do naczynia więcej oleju niż jedna trzecia jego objętości. Nie pozostaw olej bez nadzoru, gdy jest podgrzewany. Bardzo gorące oleje mogą spowodować pożar.

Palnik Do Woka *



Ponieważ jest to podwójny palnik, zapewnia on równomierny rozkład ciepła na dnie naczynia w wysokiej temperaturze. Ten rodzaj palnika idealnie nadaje się do krótkiego pieczenia i gotowania w wysokiej temperaturze. W celu położenia zwykłego garnka na palniku do woka należy zdjąć z płyty nakładkę do woka.

Rozmiary Garnków

Zalecane średnice naczyń podano w poniższych tabelach.

Płyta ze szkła	30 cm kuchenka	45 cm kuchenka	60 cm sterowanie ręczne	60 cm kontrola przednia	70 cm kontrola przednia	90 cm kontrola przednia
Pomocniczy palnik	12-18 cm	12-18 cm	12-18 cm	12-18 cm	12-18 cm	12-18 cm
Semi-rapid palnik	---	18-20 cm	18-20 cm	18-20 cm	18-20 cm	18-22 cm
Rapid palnik	18-24 cm	22-24 cm	22-24 cm	22-24 cm	22-24 cm	22-26 cm
Wok palnik	24-26 cm	---	24-26 cm	24-26 cm	24-26 cm	26-30 cm

Płyta ze metalowe	30 cm kuchenka	45 cm kuchenka	60 cm sterowanie ręczne	60 cm kontrola przednia	70 cm kontrola przednia	90 cm kontrola przednia
Pomocniczy palnik	12-18 cm	12-18 cm	12-18 cm	12-18 cm	12-18 cm	12-18 cm
Semi-rapid palnik	---	18-20 cm	18-20 cm	18-20 cm	18-20 cm	18-22 cm
Rapid palnik	18-22 cm	22-24 cm	22-26 cm	22-24 cm	22-24 cm	22-26 cm
Wok palnik	24-26 cm	24-26 cm	24-26 cm	24-26 cm	24-26 cm	26-32 cm

OSTRZEŻENIE: Naczynia do gotowania potraw powinny mieć co najmniej 120 mm średnicy.



Rozpryskanie i wykipienie mogą spowodować uszkodzenie powierzchni płyty kuchennej i pożar.



Nie należy używać pojemników z wypukłymi lub wklęsłymi dnami.



Jeżeli średnica naczynia jest mniejsza niż średnica płyty, spowoduje to marnowanie energii.



Używaj tylko garnków i patelni z płaskimi dnami.

KONSERWACJA I CZYSZCZENIE

Przed przystąpieniem do konserwacji lub czyszczenia urządzenia należy odłączyć zasilanie elektryczne i zamknąć zawór gazowy. Jeśli płyta kuchenna jest mocno nagrzana, pozostawić ją do ostygnięcia.

1. W celu zapewnienia długiego i ekonomicznego okresu eksploatacji płyty kuchennej należy ją regularnie czyścić i konserwować.

2. Płyty kuchennej nie należy czyścić ostrymi narzędziami, takimi jak szczotka druciana, myjka druciana czy nóż. Nie należy stosować środków ściernych ani rysujących powierzchnię, kwasów ani detergentów.

3. Po umyciu części płyty kuchennej ściereczką zwilżoną wodą z mydłem należy ją przemyć i przetrzeć suchą ściereczką.

4. Szklane powierzchnie należy czyścić środkami przeznaczonymi do pielęgnacji szkła. Zarysowanie szklanych powierzchni może doprowadzić do ich pęknięcia. Z tego względu do mycia powierzchni szklanych nie należy stosować ściernych środków czyszczących ani ostrych metalowych drapaków.

5. Płyty kuchennej nie należy czyścić myjkami parowymi.

6. Kanały i pokrywki palników należy myć wodą z mydłem, a kanały gazowe czyścić szczoteczką.

7. Podczas czyszczenia płyty kuchennej nigdy nie należy używać łatwopalnych substancji, takich jak kwasy, rozcieńczalniki lub gazy.

8. Plastikowych i aluminiowych części płyty kuchennej nie należy myć w zmywarce.

9. Rozlane na płycie środki zawierające ocet, sok z cytryny, sól, coca-colę i podobne kwasy należy natychmiast wytrzeć.

10. Z czasem przyciski płyty kuchennej mogą trudniej się włączać lub w ogóle się nie włączać. W takim przypadku może być konieczna wymiana przycisków. Wymiana może zostać wykonana wyłącznie przez autoryzowany serwis.

ROZWIĄZYWANIE PROBLEMÓW

Przed skontaktowaniem się z serwisem technicznym możesz rozwiązać problemy, na które możesz się natknąć, sprawdzając poniższe punkty.

Punkty do sprawdzenia

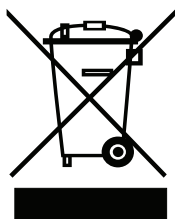
W przypadku wystąpienia problemu z kuchenką, najpierw sprawdź tabelę poniżej i wypróbuj przedstawione sugestie.

Problem	Możliwa przyczyna	Rozwiązanie
Bez zapłonu.	Brak iskry.	Sprawdź zasilanie.
	Pokrywa kuchenki nie jest prawidłowo zamontowana.	Dopasuj prawidłowo pokrywę.
	Odcięty dopływ gazu.	Odkręć zawór gazu do końca.
Nieprawidłowy zapłon.	Dopływ gazu nie jest całkowicie otwarty.	Odkręć zawór gazu do końca.
	Pokrywa kuchenki nie jest prawidłowo zamontowana.	Dopasuj prawidłowo pokrywę.
	Świeca zapłonowa jest zabrudzona.	Oczyść ją szmatką.
	Palniki są mokre.	Ostrożnie wysusz palniki.
	Otwory wrzutowe płomienia są zatkane.	Oczyść otwory palnika.
Podczas palenia lub w czasie zapłonu rozlega się hałas.	Pokrywa kuchenki nie jest prawidłowo zamontowana.	Dopasuj prawidłowo pokrywę.
Płomień gaśnie podczas pracy.	Urządzenie nadzorujące płomień jest zatkane ciałami obcymi.	Oczyść urządzenie nadzorujące płomień.
	Rozlana potrawa gasi płomień.	Wyłącz kuchenkę. Odczekaj minutę i zapal ponownie.
	Silny strumień powietrza gasi płomień.	Proszę sprawdzić odpowiedni palnik i sprawdzić obszar gotowania pod kątem przeciągu, na przykład z otwartego okna. Odczekaj minutę i zapal ponownie.
Żółty płomień.	Otwory wrzutowe płomienia są zatkane.	Oczyść otwory palnika.
	Używany jest inny gaz.	Sprawdź używany gaz.
Niestabilny płomień.	Pokrywa kuchenki nie jest prawidłowo zamontowana.	Dopasuj prawidłowo pokrywę.
Zapach gazu.	Wylot gazu otwarty.	Sprawdź, czy wyloty gazu w kuchence pozostają otwarte.
	Wyciek z połączenia butli z gazem z kuchenką.	Upewnij się, że połączenia są szczelne.
Zapalarka nie działa.	Końcówki lub świece zapalarek są zapchane.	Oczyść końcówki lub świece zapalarek palników.
	Przewody palnika gazowego są zatkane.	Oczyść przewody palnika gazowego.

ZASADY PRZENOSZENIA

1. Przenoś i transportuj w oryginalnym opakowaniu.
2. Zwróć maksymalną uwagę na urządzenie podczas ładowania/rozładowywania i przenoszenia.
3. Upewnij się, że opakowanie jest bezpiecznie zamknięte podczas przenoszenia i transportu.
4. Chronь urządzenie przed czynnikami zewnętrznymi (takimi jak wilgoć, woda, itp.), które mogą uszkodzić opakowanie.
5. Należy zachować ostrożność, aby nie uszkodzić lub nie zdeformować urządzenia poprzez jego uderzenie, upuszczenie, itp. podczas przenoszenia i transportu.

PRZYJAZNA ŚRODOWISKU UTYLIZACJA



Pozbądź się opakowania w sposób przyjazny dla środowiska.

Urządzenie to jest oznaczone zgodnie z Dyrektywą Europejską 2012/19/UE dotyczącą zużytych urządzeń elektrycznych i elektronicznych (odpady sprzętu elektrycznego i elektronicznego - WEEE). Wytyczna ta określa ogólne zasady zwrotu i recyklingu zużytych urządzeń w całej do UE.

INFORMACJE OPAKOWANIU

Materiały opakowania tej chłodziarki są wykonane z surowców wtórnych, zgodnie z naszymi krajowymi przepisami dotyczącymi ochrony środowiska. Nie wyrzucaj materiałów opakowaniowych razem z odpadkami domowymi lub innymi. Dostarcz je do punktów zbiórki materiałów opakowaniowych wyznaczonych przez władze lokalne.